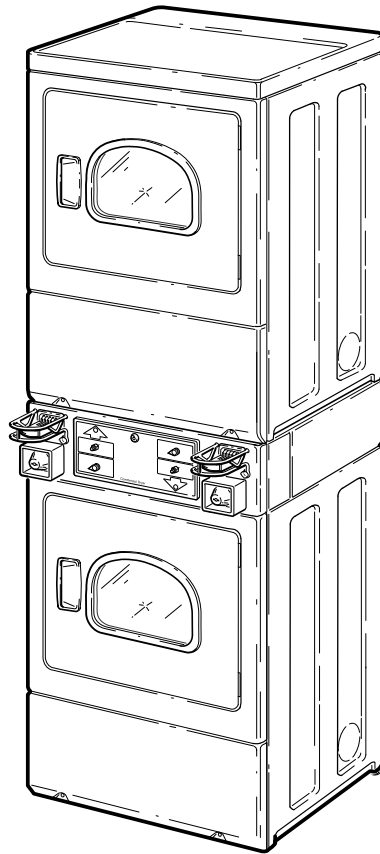


# Commercial Dryers

Metered and Nonmetered  
Refer to Page 3 for Model Numbers



D009C\_511996



# Table of Contents

Title	Page
Parts Ordering Information.....	2
Nameplate Location .....	2
Model Identification .....	3
Control Panel and Controls - Nonmetered .....	4
Control Panel and Controls - Coin Slide Ready Models .....	6
Control and Control Panel - Coin Slide Models .....	8
Coin Slide Extension Kit.....	10
Control Panel and Controls - Coin Drop Models.....	12
Control Panel and Controls - Card Models .....	14
Control Cabinet Controls - Coin Drop Models.....	16
Non-Electronic Coin Drop - Coin Drop Models .....	18
Electronic Coin Drop - Coin Drop Models .....	20
Control Cabinet - Card Reader Ready and Installed Models .....	22
Control Cabinet - Integrated Card Reader Installed and Card Ready Models .....	24
Accumulator - Coin Slide Ready Models .....	26
Cabinet Top .....	28
Loading Door without Window .....	30
Loading Door with Window .....	32
Access Panel, Front Panel and Seal .....	34
Motor, Exhaust Fan and Belt .....	36
Front Bulkhead, Felt Seal and Cylinder .....	38
Air Duct and Lint Filter .....	40
Rear Bulkhead, Felt Seal, Cylinder Roller and Terminal Block.....	42
Heater Duct and Element Assembly - Electric Model Dryers.....	44
Heater Duct Assembly - Gas Model Dryers .....	46
Gas Valve, Igniter and Gas Conversion Kits.....	48
Cabinet, Exhaust Duct and Base .....	50
Power Cord.....	52
Terminal Block and Terminals .....	54
Terminals .....	56
Terminals and Terminal Extractor Tools .....	58
Wire Harnesses and Wires - Nonmetered and Coin Slide Models .....	60
Wire Harnesses and Wires - Nonmetered and Coin Slide Models Through Serial No. 1303025314 .....	62
Wire Harnesses and Wires - Nonmetered and Coin Slide Models Starting Serial No. 1303025315 .....	64
Wire Harnesses - Coin Drop and Card Reader Models.....	66
Wires and Wire Harnesses - Coin Drop and Card Reader Models Through Serial No. 0904.....	68
Wire Harnesses and Wires - Coin Drop and Card Reader Models Starting Serial No. 0904.....	70
Wire Harnesses and Wires - Coin Drop and Card Reader Models Starting Serial No. 0904 and Continuing Through Serial No. 1303025314.....	72
Wire Harnesses and Wires - Coin Drop and Card Reader Models Starting Serial No. 1303025315.....	74
Parts Index.....	77

© Copyright 2013, Alliance Laundry Systems LLC

All rights reserved. No part of the contents of this book may be reproduced or transmitted in any form or by any means without the expressed written consent of the publisher.

# Parts Ordering Information

If literature or replacement parts are required, contact the source from whom the machine was purchased or contact Alliance Laundry Systems at (920) 748-3950 for the name and address of the nearest authorized parts distributor.

For technical assistance, call either of the numbers listed below:

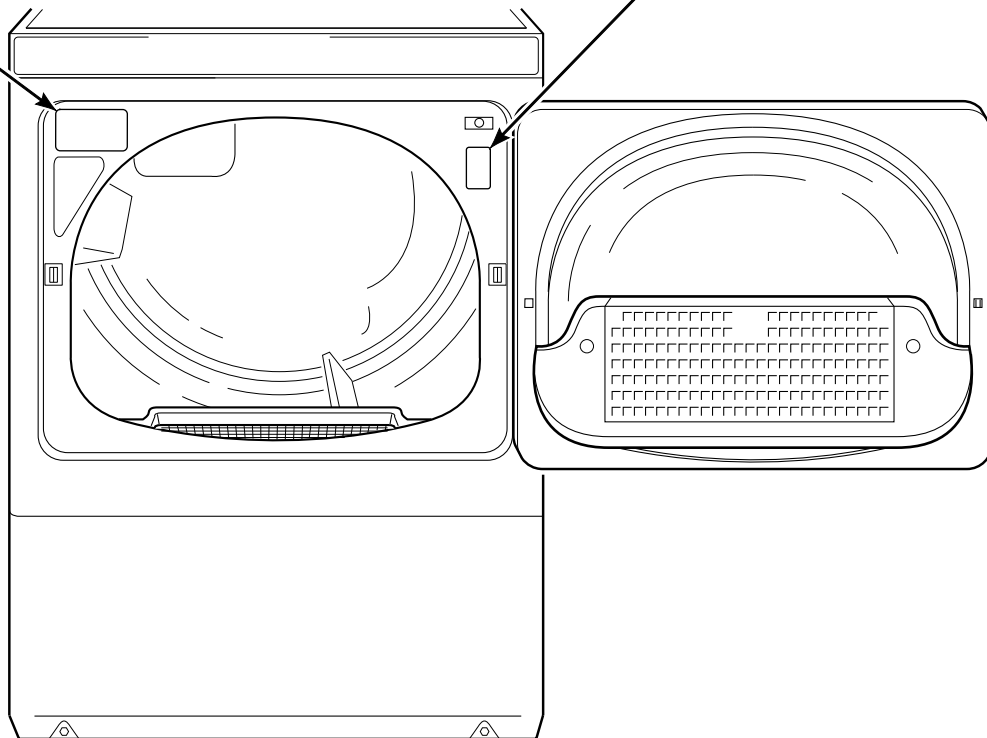
(920) 748-3121 Ripon, Wisconsin  
+32 56 41 20 54 Wevelgem, Belgium

## Nameplate Location

When calling or writing about your product, be sure to mention model and serial numbers. Model and serial numbers are located on nameplate(s) as shown.

**NAMEPLATE**  
(Models starting Serial No. 1206025810)

**NAMEPLATE**  
(Models through Serial No. 1206025809)



DRY2283P\_511996

## Model Identification

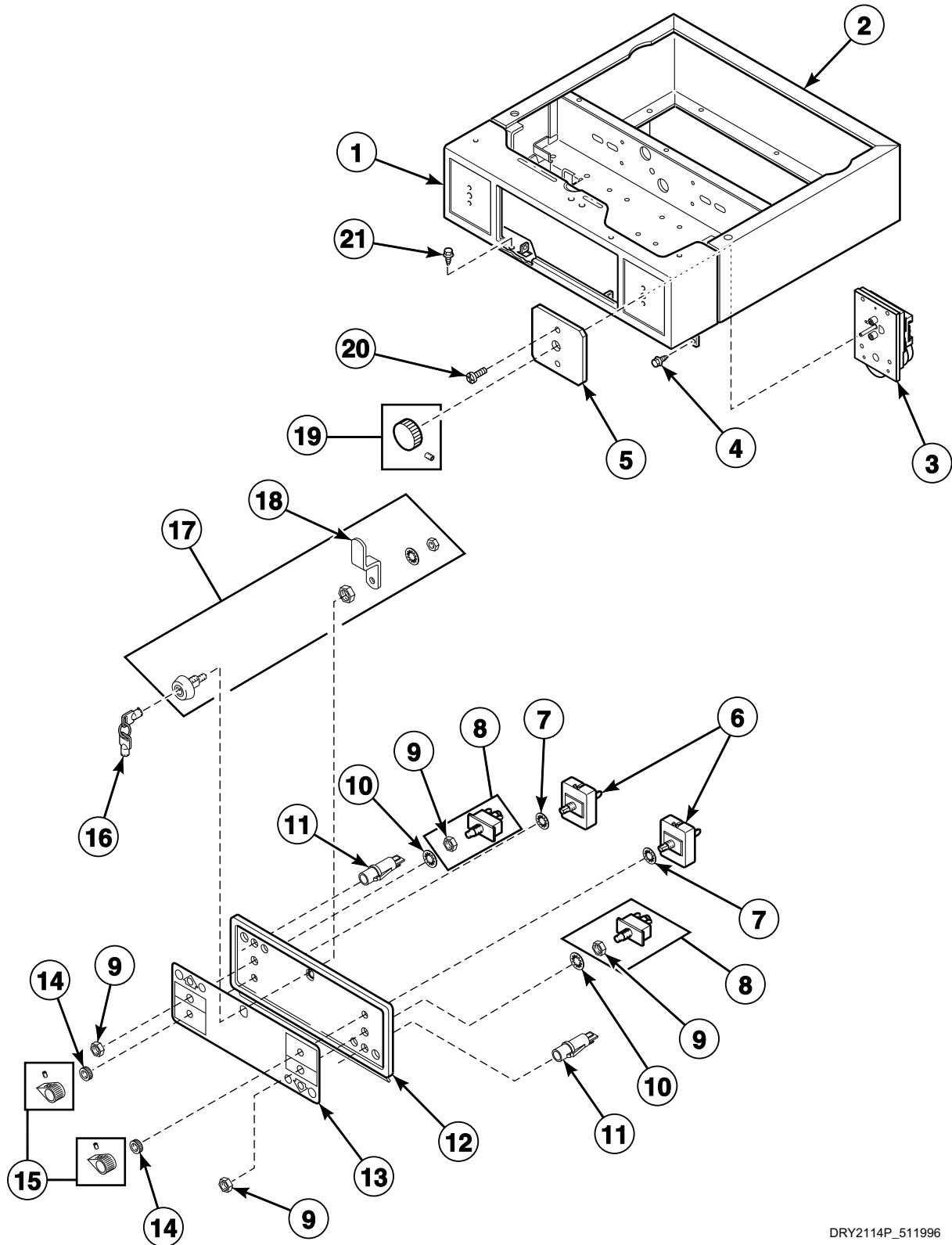
Information in this manual is applicable to these dryer models:

BSE807*F	JSE907*F	SSE707*F	SSEX07*F	SSG809*F
BSE907*F	JSG809*F	SSE717*F	SSEX07*F1500	SSG909*F
BSEBCFGS171TW01	JSG909*F	SSE807*F	SSEY07*F	SSG909*F1124
BSEBYFGS171TW01	SSE007*F	SSE807*F1500	SSEY07*F1500	SSG919*F
BSG809*F	SSE007*F1500	SSE907*F	SSEY17*F	SSGA19*J
BSG909*F	SSE007*F99H2	SSE907*F1500	SSEZ07*F	SSGB09*J
BSGBCFGS111TW01	SSE107*F	SSE907*F1724	SSEZ07*F1500	SSGB19*J
BSGBYFGS111TW01	SSE107*F1500	SSE917*F	SSEZ17*F	SSGC09*J
HSE117*F	SSE107*F1724	SSEA17*J	SSEZ17*F1500	SSGF09*J
HSE917*F	SSE107*F99L6	SSEB07*J	SSG009*F	SSGF19*J
HSEB17*J1500	SSE107*F99L7	SSEB07*J1500	SSG109*F	SSGH09*J
HSEB17*J99L1	SSE117*F	SSEB17*J	SSG109*F1124	SSGT09*F
HSEB17*J99L2	SSE117*F1500	SSEB17*J1500	SSG109*F99L6	SSGT19*F
HSET17*F	SSE307*F	SSEC07*J	SSG109*F99L7	SSGX09*F
HSET17*F1500	SSE307*F1500	SSEF07*J	SSG119*F	SSGX19*F
HSEY17*F	SSE417*F	SSEF17*J	SSG309*F	SSGY09*F
HSEY17*F1500	SSE507*F	SSEH07*J	SSG419*F	SSGY19*F
HSEZ17*F	SSE507*F1500	SSEH07*J1500	SSG509*F	SSGZ09*F
HSEZ17*F1500	SSE517*F	SSET07*F	SSG519*F	SSGZ19*F
HSG119*F	SSE517*F1500	SSET07*F1500	SSG609*F	USE007*F
HSG919*F	SSE607*F	SSET17*F	SSG619*F	USE807*F
HSGB19*J99L1	SSE617*F	SSET17*F1500	SSG709*F	USG009*F
HSGT19*F			SSG719*F	USG809*F
HSGY19*F				
HSGZ19*F				
JSE807*F				

\* Add Letter To Designate Color. L - Almond Q - Bisque W - White

# Control Panel and Controls - Nonmetered

Models BSE807\*F, BSG809\*F, JSE807\*F, JSG809\*F, SSE007\*F, SSE007\*F1500, SSE007\*F99H2, SSE807\*F, SSE807\*F1500, SSG009\*F, SSG809\*F, USE007\*F, USE807\*F, USG009\*F and USG809\*F



DRY2114P\_511996

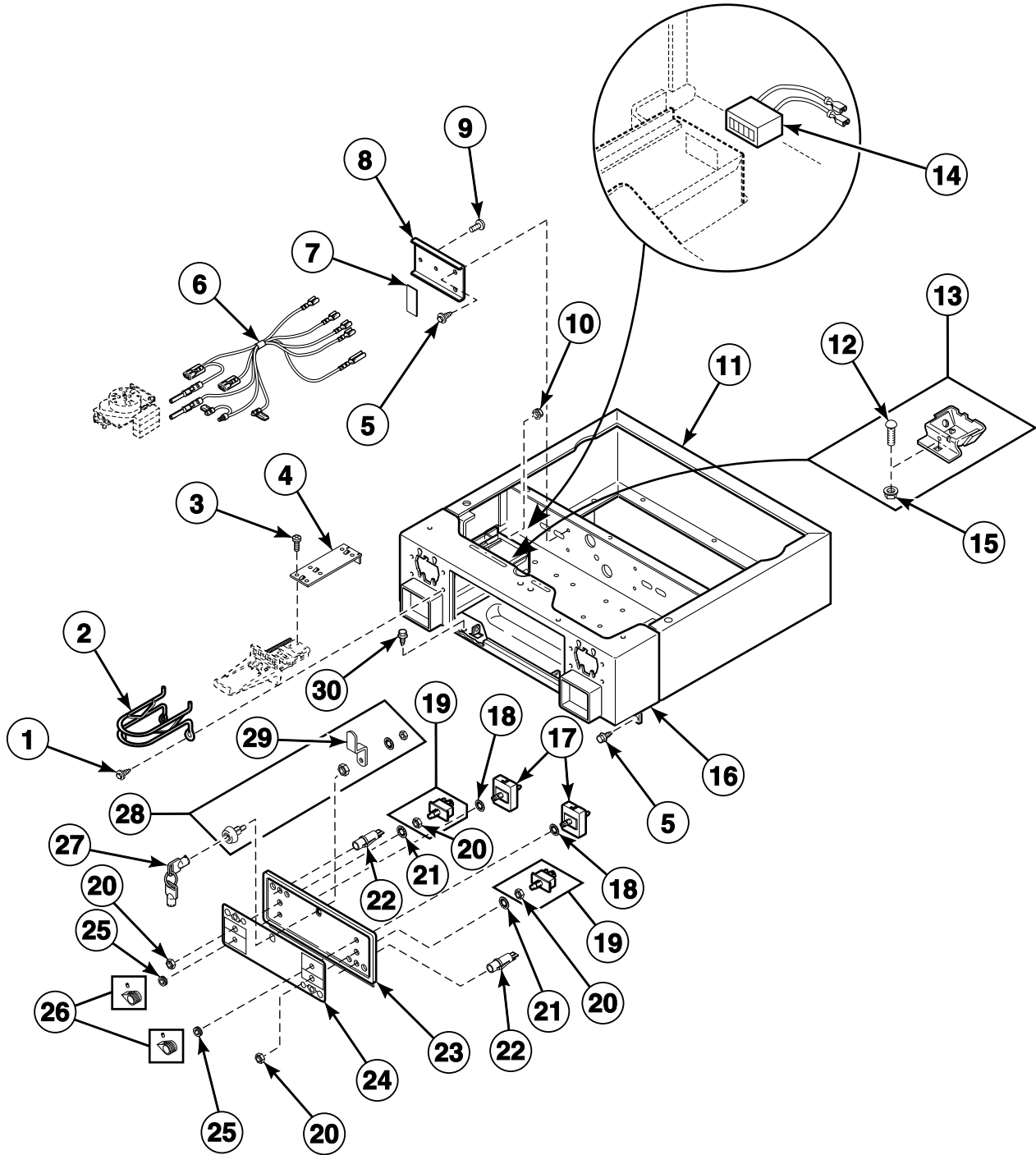
## Control Panel and Controls - Nonmetered

REF	PART NO.	DESCRIPTION	COMMENTS
1	500225WP	Security Cabinet Front	White
	500225LP	Security Cabinet Front	Almond
	500225QP	Security Cabinet Front	Bisque
2	505753WP	Wrapper and Channel Assembly	White
	505753QP	Wrapper and Channel Assembly	Bisque
3	510524P	Timer	
4	503688	Screw	
5	500814	Timer Overlay	
6	61512	Fabric Selector Switch	
7	91176	Washer	
8	55882	Switch Assembly	Includes item 9
9	52947	Nut	
10	25820	Washer	
11	32464	Light	120 Volt
12	500228W	Control Panel and Bracket Assembly	White
	500228L	Control Panel and Bracket Assembly	Almond
	500228Q	Control Panel and Bracket Assembly	Bisque
13	504590	Graphic Overlay	Models SSE007*F, SSE007*F1500, SSE007*F99H2 and SSG009*F
	502927	Overlay	Models USE007*F, USE807*F, USG009*F and USG809*F
	512678	Overlay	Models JSE807*F and JSG809*F
	512493	Overlay	Models SSE807*F, SSE807*F1500 and SSG809*F
	512928	Overlay	Models BSE807*F and BSG809*F
14	24205	Nut	
15	39897	Switch Knob	
16	54612	Key	800
17	27260P	Lock Kit	Includes item 18
18	27261	Lock Cam	
19	54678	Timer Knob	
20	27328	Screw	
21	502431	Screw	

\* Add Letter To Designate Color. L - Almond Q - Bisque W - White

# Control Panel and Controls - Coin Slide Ready Models

Models HSE117\*F, HSG119\*F, SSE107\*F, SSE107\*F1500, SSE107\*F1724,  
SSE107\*F99L6, SSE107\*F99L7, SSE117\*F, SSE117\*F1500, SSE307\*F, SSE307\*F1500,  
SSG109\*F, SSG109\*F1124, SSG109\*F99L6, SSG109\*F99L7, SSG119\*F and SSG309\*F



DRY2088P\_511996



## Control Panel and Controls - Coin Slide Ready Models

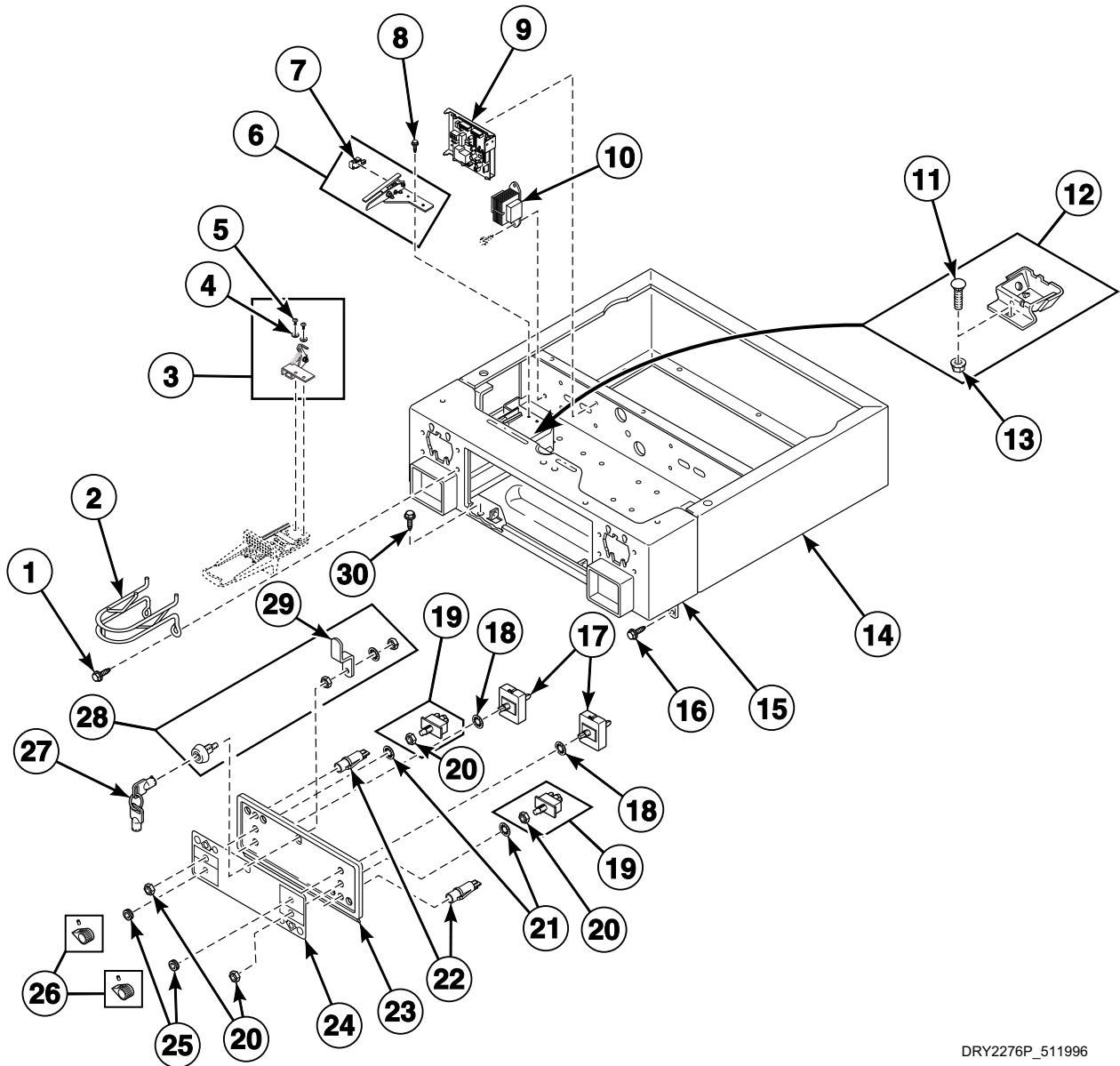
REF	PART NO.	DESCRIPTION	COMMENTS
1	33562	Screw	
2	58181	Coin Slide Guard	
3	N/A	Screw	
4	503455	Coin Slide Extension	
5	503688	Screw	
6	510662P	Harness Replacement Kit	Models SSE307*F, SSE307*F1500 and SSG309*F
	510534P	Harness Replacement Kit	All other models
7	56751	Shield	
8	503017	Timer Bracket	
9	03203	Screw	
10	80077	Nut	
11	505753WP	Wrapper and Channel Assembly	White
	505753QP	Wrapper and Channel Assembly	Bisque
12	29651	Bolt	
13	523P3	Coin Funnel Kit	Includes items 12 and 15
14	62113P	Counter Kit	Models SSE307*F, SSE307*F1500 and SSG309*F
15	29796	Nut	
16	511522WP	Security Cabinet Front Assembly	White
	511522LP	Security Cabinet Front Assembly	Almond
	511522QP	Security Cabinet Front Assembly	Bisque
17	61512	Fabric Selector Switch	
18	91176	Washer	
19	55882	Switch Assembly	Includes item 20
20	52947	Nut	
21	25820	Washer	
22	32464	Light	
23	500228W	Control Panel and Bracket Assembly	White
	500228L	Control Panel and Bracket Assembly	Almond
	500228Q	Control Panel and Bracket Assembly	Bisque
24	505381	Overlay	Models HSE117*F and HSG119*F
	504590	Graphic Overlay	All other models
25	24205	Nut	
26	39897	Switch Knob	
27	54612	Key	800
28	27260P	Lock Kit	Includes item 29
29	27261	Lock Cam	
30	502431	Screw	

\* Add Letter To Designate Color. L - Almond Q - Bisque W - White

N/A = Part no longer available

# Control and Control Panel - Coin Slide Models

Models BSE907\*F, BSG909\*F, HSE917\*F, HSG919\*F, JSE907\*F, JSG909\*F, SSE907\*F, SSE907\*F1500, SSE907\*F1724, SSE917\*F, SSG909\*F, SSG909\*F1124 and SSG919\*F



DRY2276P\_511996

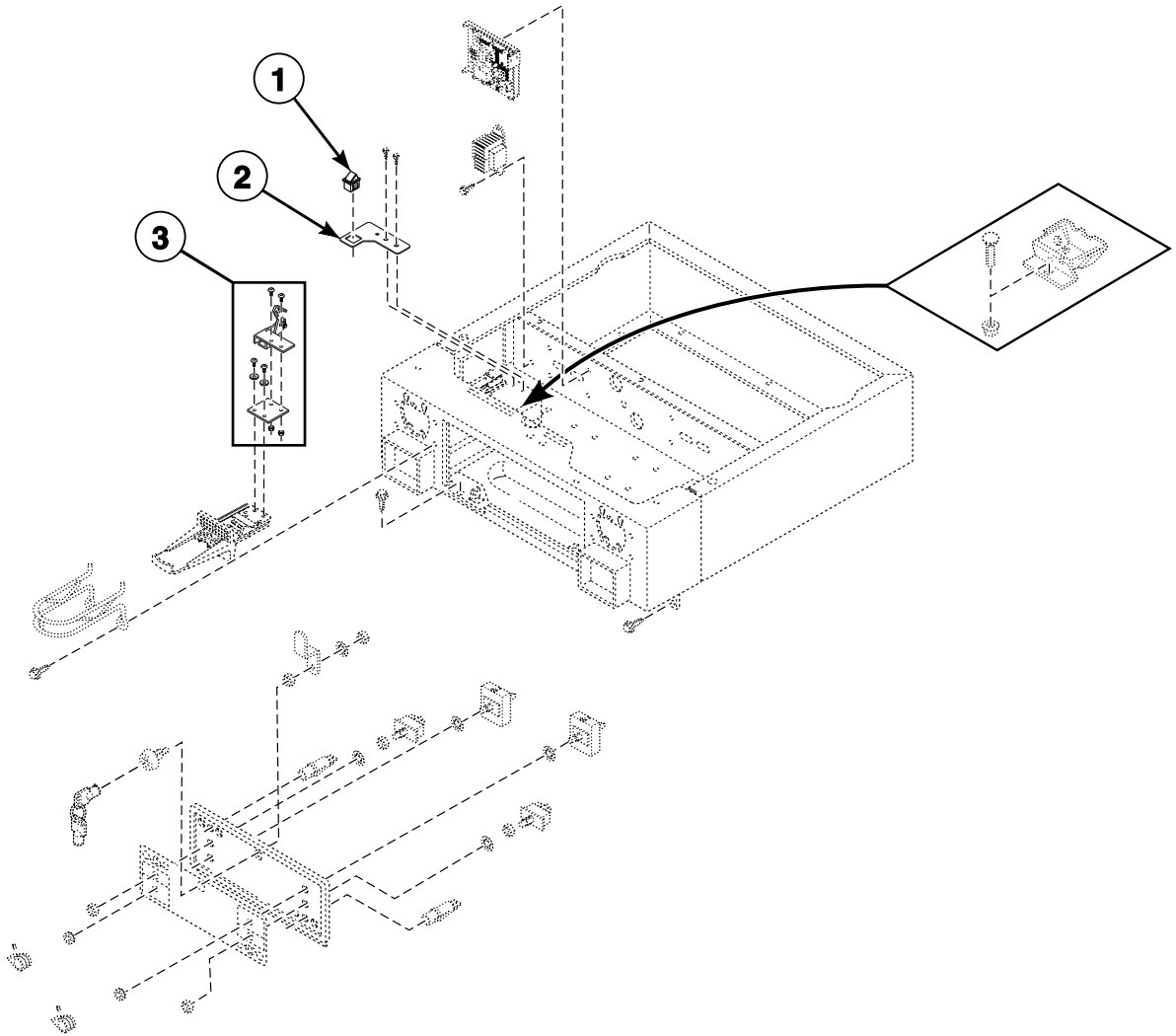
## Control and Control Panel - Coin Slide Models

REF	PART NO.	DESCRIPTION	COMMENTS
1	33562	Screw	
2	58181	Coin Slide Guard	
3	201915	Slide Extension Kit	
4	03815	Washer	
5	27328	Screw	
6	201917P	Switch Mount Assembly	Includes item 7; Some models may have a 3/16 inch spade terminal on the coin slide switch; When replacing switch mount assembly on these models, the control wire harness must also be replaced
7	201952	Switch	Some models may have a 3/16 inch spade terminal on the coin slide switch; When replacing switch mount assembly on these models, the control wire harness must also be replaced
8	51782	Screw	
9	513139P	Control Assembly	
10	201587P	Transformer	
11	29651	Bolt	
12	523P3	Coin Funnel Kit	Includes items 11 and 13
13	29796	Nut	
14	505753WP	Wrapper and Channel Assembly	White
	505753QP	Wrapper and Channel Assembly	Bisque
15	511522WP	Security Cabinet Front Assembly	White
	511522LP	Security Cabinet Front Assembly	Almond
	511522QP	Security Cabinet Front Assembly	Bisque
16	503688	Screw	
17	511711	Temperature Selector Switch	
18	91176	Washer	
19	55882	Switch Assembly	Includes item 20
20	52947	Nut	
21	25820	Washer	
22	801431	Light	
23	500228W	Control Panel and Bracket Assembly	White
	500228L	Control Panel and Bracket Assembly	Almond
	500228Q	Control Panel and Bracket Assembly	Bisque
24	512678	Overlay	Models JSE907*F and JSG909*F
	512494	Overlay	Models HSE917*F and HSG919*F
	512928	Overlay	Models BSE907*F and BSG909*F
	512493	Overlay	All other models
25	24205	Nut	
26	39897	Switch Knob	
27	54612	Key	800
28	27260P	Lock Kit	Includes item 29
29	27261	Lock Cam	
30	502431	Screw	

\* Add Letter To Designate Color. L - Almond Q - Bisque W - White

# Coin Slide Extension Kit

Models BSE907\*F, BSG909\*F, HSE917\*F, HSG919\*F, JSE907\*F, JSG909\*F, SSE907\*F, SSE907\*F1500, SSE907\*F1724, SSE917\*F, SSG909\*F, SSG909\*F1124 and SSG919\*F



DRY2292P\_511996

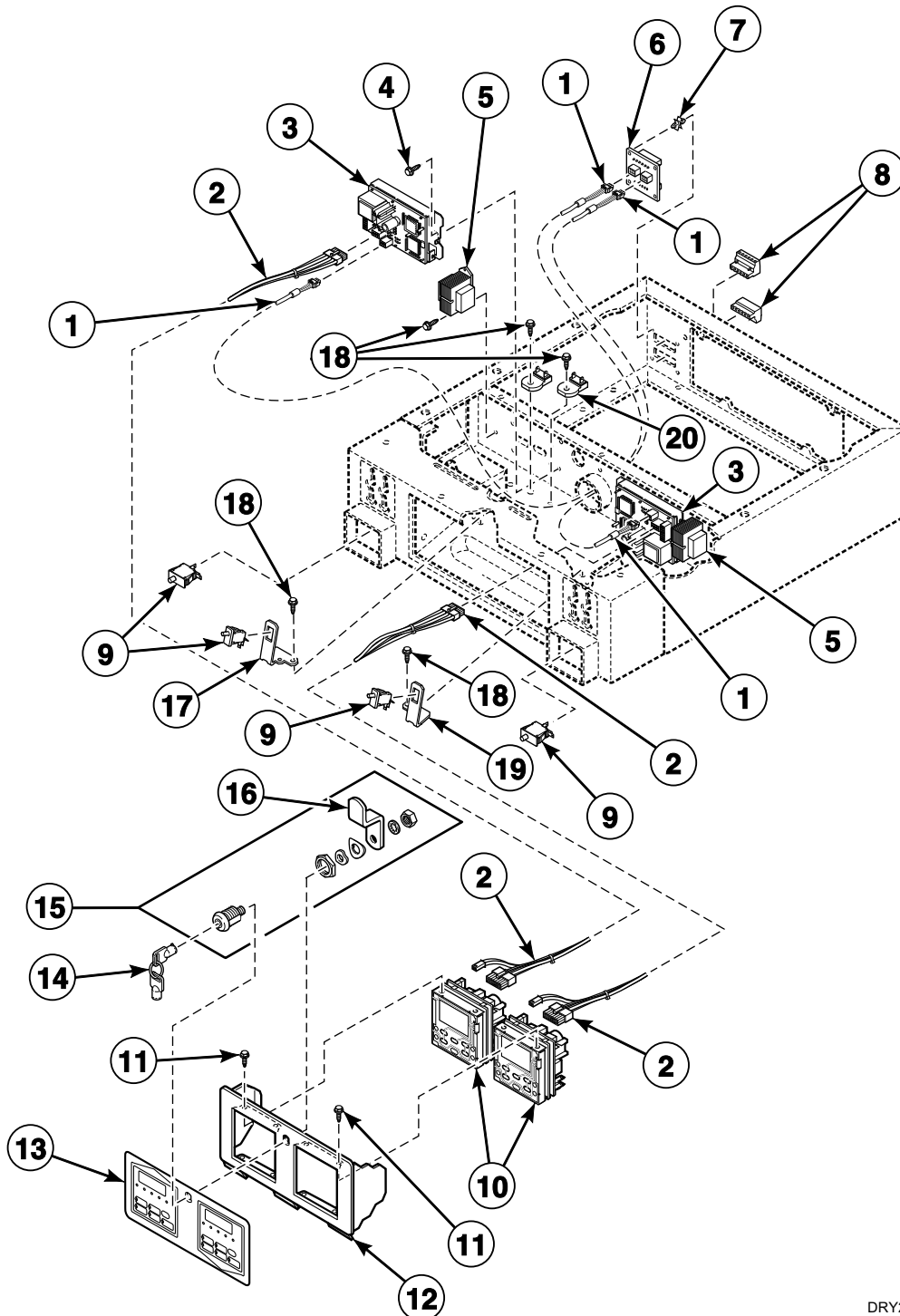
# Coin Slide Extension Kit

REF	PART NO.	DESCRIPTION	COMMENTS
1	514105	Switch	
2	803662	Bracket	
3	514228	Coin Slide Extension Kit	Includes items 1 and 2

\* Add Letter To Designate Color. L - Almond Q - Bisque W - White

# Control Panel and Controls - Coin Drop Models

Models BSEBCFGS171TW01, BSGBCFGS111TW01, HSEB17\*J1500, HSEB17\*J99L1, HSEB17\*J99L2, HSET17\*F, HSET17\*F1500, HSEZ17\*F, HSEZ17\*F1500, HSGB19\*J99L1, HSGT19\*F, HSGZ19\*F, SSE417\*F, SSE507\*F, SSE507\*F1500, SSE517\*F, SSE517\*F1500, SSEA17\*J, SSEB07\*J, SSEB07\*J1500, SSEB17\*J, SSEB17\*J1500, SSEH07\*J, SSEH07\*J1500, SSET07\*F, SSET07\*F1500, SSET17\*F, SSET17\*F1500, SSEX07\*F, SSEX07\*F1500, SSEZ07\*F, SSEZ07\*F1500, SSEZ17\*F, SSEZ17\*F1500, SSG419\*F, SSG509\*F, SSG519\*F, SSGA19\*J, SSGB09\*J, SSGB19\*J, SSGH09\*J, SSGT09\*F, SSGT19\*F, SSGX09\*F, SSGX19\*F, SSGZ09\*F and SSGZ19\*F



DRY2115P\_511996

## Control Panel and Controls - Coin Drop Models

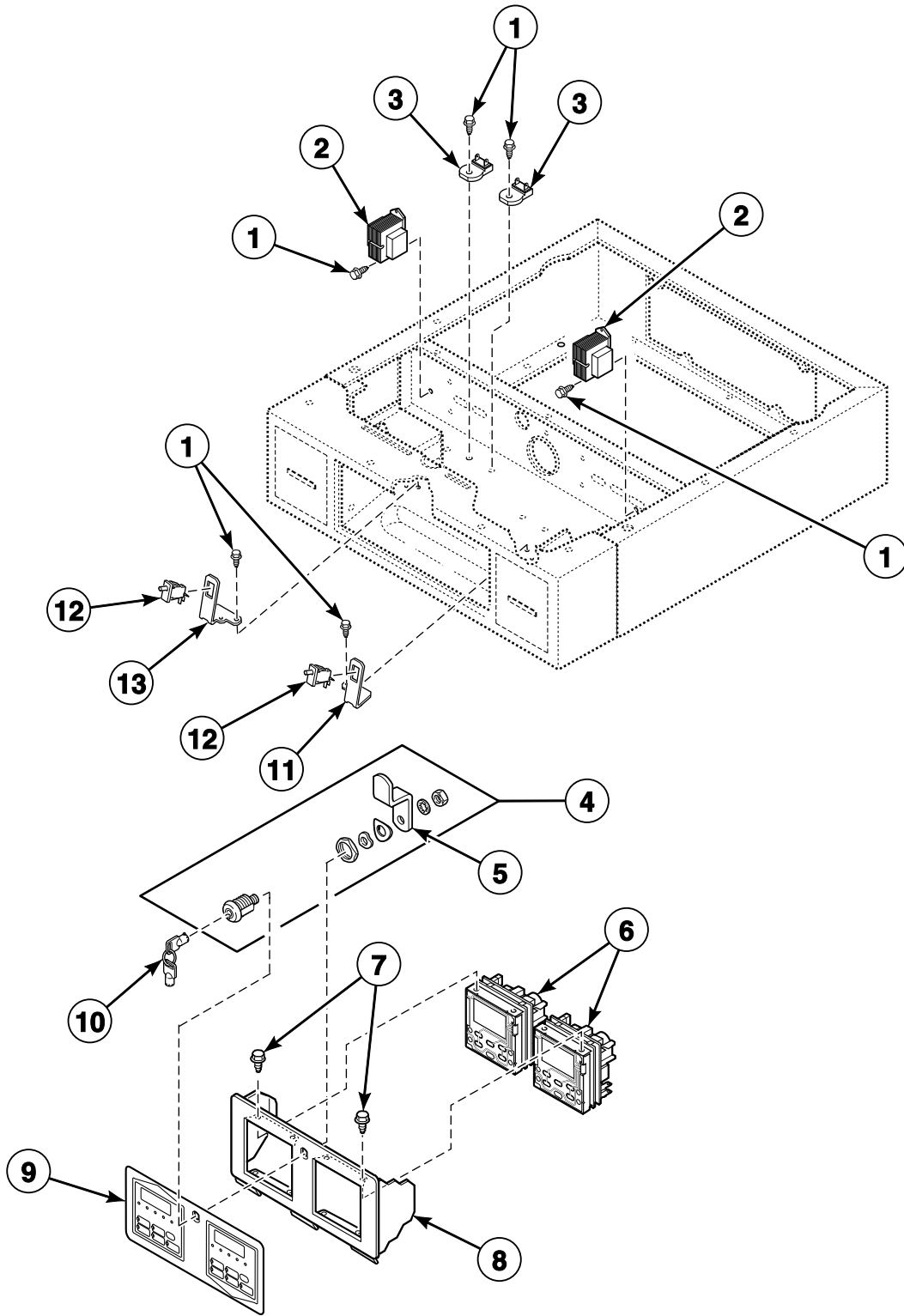
REF	PART NO.	DESCRIPTION	COMMENTS
1	800216	Network Cable Wire Harness Assembly	2 required; Models SSEH07*J, SSEH07*J1500 and SSGH09*J
2	800217	Network Wire Harness Assembly	2 required; Models SSEH07*J, SSEH07*J1500 and SSGH09*J
3	210016P	Network Board Assembly	Models SSEH07*J, SSEH07*J1500 and SSGH09*J
4	503661	Screw	Models SSEH07*J, SSEH07*J1500 and SSGH09*J
5	803527P	Transformer	Models SSEA17*J, SSEX07*F, SSEX07*F1500, SSGA19*J, SSGX09*F and SSGX19*F through Serial No. 0409
	201375P	Transformer	120 Volt; Some models may have jumper wire attached to transformer. Discard jumper wire when replacing transformer; Models SSEA17*J, SSEX07*F, SSEX07*F1500, SSGA19*J, SSGX09*F and SSGX19*F starting Serial No. 0409
	210018P	Transformer	All models except SSE417*F, SSE507*F, SSE507*F1500, SSE517*F, SSE517*F1500, SSEA17*J, SSEX07*F, SSEX07*F1500, SSG419*F, SSG509*F, SSG519*F, SSGA19*J, SSGX09*F and SSGX19*F
6	210097	Communication Board	Models SSEH07*J, SSEH07*J1500 and SSGH09*J
7	210098	PC Board Standoff	Models SSEH07*J, SSEH07*J1500 and SSGH09*J
8	210099	Communication Connector	Models SSEH07*J, SSEH07*J1500 and SSGH09*J
9	512973	Switch	
10	511867P	Control Assembly	Models BSEBCFGS171TW01, BSGBCFGS111TW01, HSET17*F, HSET17*F1500, HSEZ17*F, HSEZ17*F1500, HSGT19*F, HSGZ19*F, SSET07*F, SSET07*F1500, SSET17*F, SSET17*F1500, SSEX07*F, SSEX07*F1500, SSEZ07*F, SSEZ07*F1500, SSEZ17*F, SSEZ17*F1500, SSGT09*F, SSGT19*F, SSGX09*F, SSGX19*F, SSGZ09*F and SSGZ19*F
	M414050P	Control Kit	Includes item 11; 120 Volt; Models SSE417*F, SSE507*F, SSE507*F1500, SSE517*F, SSE517*F1500, SSG419*F, SSG509*F and SSG519*F
	505905P	Control Kit	Includes item 11; All other models
11	501524	Screw	
12	N/A	Control Panel and Bracket Assembly	Models SSE417*F, SSE507*F, SSE507*F1500, SSE517*F, SSE517*F1500, SSG419*F, SSG509*F and SSG519*F
	510076W	Control Panel and Bracket Assembly	White; All other models
	510076Q	Control Panel and Bracket Assembly	Bisque; All other models
13	N/A	Graphic Overlay	Models HSEB17*J1500, HSEB17*J99L1, HSEB17*J99L2 and HSGB19*J99L1
	504117	Graphic Overlay	Models SSE417*F, SSE507*F, SSE507*F1500, SSE517*F, SSE517*F1500, SSG419*F, SSG509*F and SSG519*F
	511430	Overlay	Models HSET17*F, HSET17*F1500, HSEZ17*F, HSEZ17*F1500, HSGT19*F and HSGZ19*F
	510074	Graphic Overlay	Models SSEA17*J, SSEB07*J, SSEB07*J1500, SSEB17*J, SSEB17*J1500, SSEH07*J, SSEH07*J1500, SSGA19*J, SSGB09*J, SSGB19*J and SSGH09*J
	514275	Overlay	Models BSEBCFGS171TW01 and BSGBCFGS111TW01
	511428	Overlay	All other models
14	54612	Key	800
15	27260P	Lock Kit	Includes item 16
16	27261	Lock Cam	
17	800379	Audit Switch Bracket	Left
18	503688	Screw	
19	800380	Audit Switch Bracket	Right
20	210100	Resistor	For use with item 5; All models except SSE417*F, SSE507*F, SSE507*F1500, SSE517*F, SSE517*F1500, SSG419*F, SSG509*F and SSG519*F

\* Add Letter To Designate Color. L - Almond Q - Bisque W - White

N/A = Part no longer available

# Control Panel and Controls - Card Models

Models BSEBYFGS171TW01, BSGBYFGS111TW01, HSEY17\*F, HSEY17\*F1500, HSGY19\*F, SSE607\*F, SSE617\*F, SSE707\*F, SSE717\*F, SSEC07\*J, SSEF07\*J, SSEF17\*J, SSEY07\*F, SSEY07\*F1500, SSEY17\*F, SSG609\*F, SSG619\*F, SSG709\*F, SSG719\*F, SSGC09\*J, SSGF09\*J, SSGF19\*J, SSGY09\*F and SSGY19\*F



DRY2116P\_511996



## Control Panel and Controls - Card Models

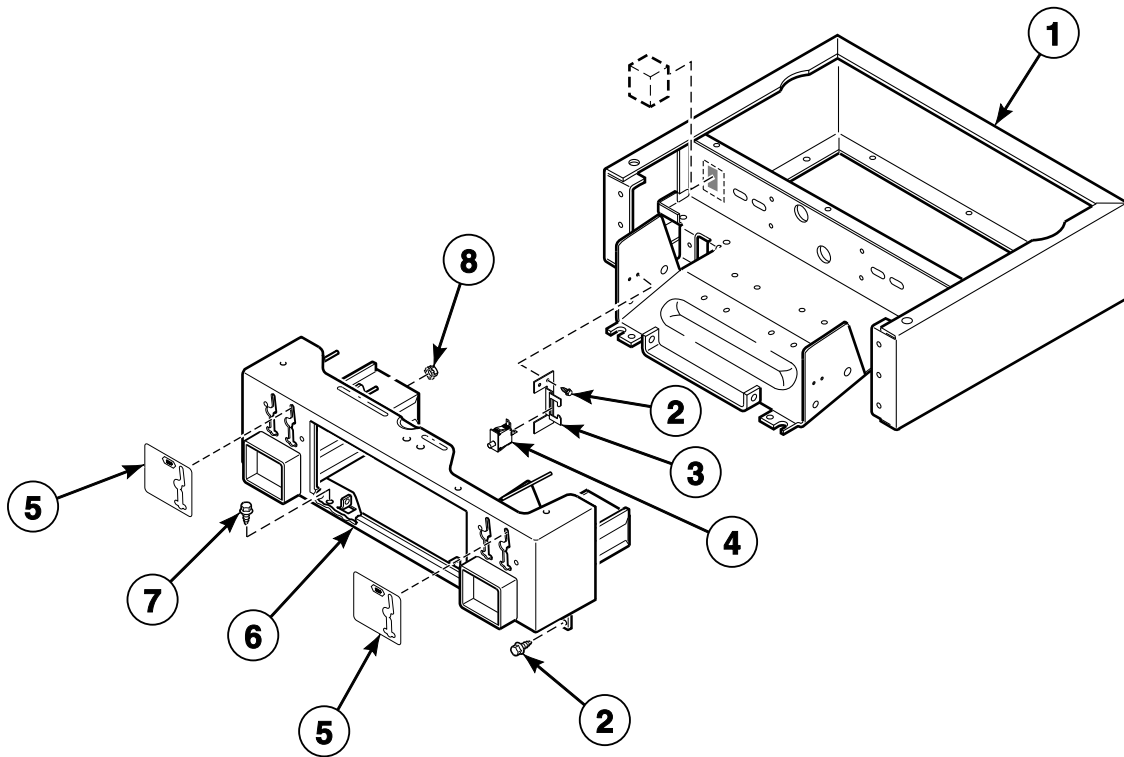
REF	PART NO.	DESCRIPTION	COMMENTS
1	503688	Screw	
2	803527P	Transformer	Models BSEBYFGS171TW01, BSGBYFGS111TW01, HSEY17*F, HSEY17*F1500, HSGY19*F, SSEY07*J, SSEY07*F, SSEY07*F1500, SSEY17*F, SSGC09*J, SSGY09*F and SSGY19*F through Serial No. 0409
	201375P	Transformer	120 Volt; Some models may have jumper wire attached to transformer. Discard jumper wire when replacing transformer; Models BSEBYFGS171TW01, BSGBYFGS111TW01, HSEY17*F, HSEY17*F1500, HSGY19*F, SSEY07*J, SSEY07*F, SSEY07*F1500, SSEY17*F, SSGC09*J, SSGY09*F and SSGY19*F starting Serial No. 0409
	210018P	Transformer	Models SSEF07*J, SSEF17*J, SSGF09*J and SSGF19*J
3	210100	Resistor	For use with item 2; Models BSEBYFGS171TW01, BSGBYFGS111TW01, HSEY17*F, HSEY17*F1500, HSGY19*F, SSEY07*J, SSEF07*J, SSEF17*J, SSEY07*F, SSEY07*F1500, SSEY17*F, SSGC09*J, SSGF09*J, SSGF19*J, SSGY09*F and SSGY19*F
4	27260P	Lock Kit	Includes item 5
5	27261	Lock Cam	
6	M414050P	Control Kit	Includes item 7; 120 Volt; Models SSE607*F, SSE617*F, SSE707*F, SSE717*F, SSG609*F, SSG619*F, SSG709*F and SSG719*F
	505905P	Control Kit	Includes item 7; Models SSEY07*J, SSEF07*J, SSEF17*J, SSGC09*J, SSGF09*J and SSGF19*J
	511867P	Control Assembly	All other models
7	501524	Screw	
8	N/A	Control Panel and Bracket Assembly	Models SSE607*F, SSE617*F, SSE707*F, SSE717*F, SSG609*F, SSG619*F, SSG709*F and SSG719*F
	510076W	Control Panel and Bracket Assembly	White; All other models
	510076Q	Control Panel and Bracket Assembly	Bisque; All other models
9	504117	Graphic Overlay	Models SSE607*F, SSE617*F, SSE707*F, SSE717*F, SSG609*F, SSG619*F, SSG709*F and SSG719*F
	510064	Graphic Overlay	Models SSEF07*J, SSEF17*J, SSGF09*J and SSGF19*J
	511430	Overlay	Models HSEY17*F, HSEY17*F1500 and HSGY19*F
	510074	Graphic Overlay	Models SSEY07*J and SSGC09*J
	514275	Overlay	Models BSEBYFGS171TW01 and BSGBYFGS111TW01
	511428	Overlay	All other models
10	54612	Key	800
11	800380	Audit Switch Bracket	Right
12	512973	Switch	
13	800379	Audit Switch Bracket	Left

\* Add Letter To Designate Color. L - Almond Q - Bisque W - White

N/A = Part no longer available

# Control Cabinet Controls - Coin Drop Models

Models BSEBCFGS171TW01, BSGBCFGS111TW01, HSEB17\*J1500, HSEB17\*J99L1, HSEB17\*J99L2, HSET17\*F, HSET17\*F1500, HSEZ17\*F, HSEZ17\*F1500, HSGB19\*J99L1, HSGT19\*F, HSGZ19\*F, SSE417\*F, SSE507\*F, SSE507\*F1500, SSE517\*F, SSE517\*F1500, SSEA17\*J, SSEB07\*J, SSEB07\*J1500, SSEB17\*J, SSEB17\*J1500, SSEH07\*J, SSEH07\*J1500, SSET07\*F, SSET07\*F1500, SSET17\*F, SSET17\*F1500, SSEX07\*F, SSEX07\*F1500, SSEZ07\*F, SSEZ07\*F1500, SSEZ17\*F, SSEZ17\*F1500, SSG419\*F, SSG509\*F, SSG519\*F, SSGA19\*J, SSGB09\*J, SSGB19\*J, SSGH09\*J, SSGT09\*F, SSGT19\*F, SSGX09\*F, SSGX19\*F, SSGZ09\*F and SSGZ19\*F



DRY2214P\_511996

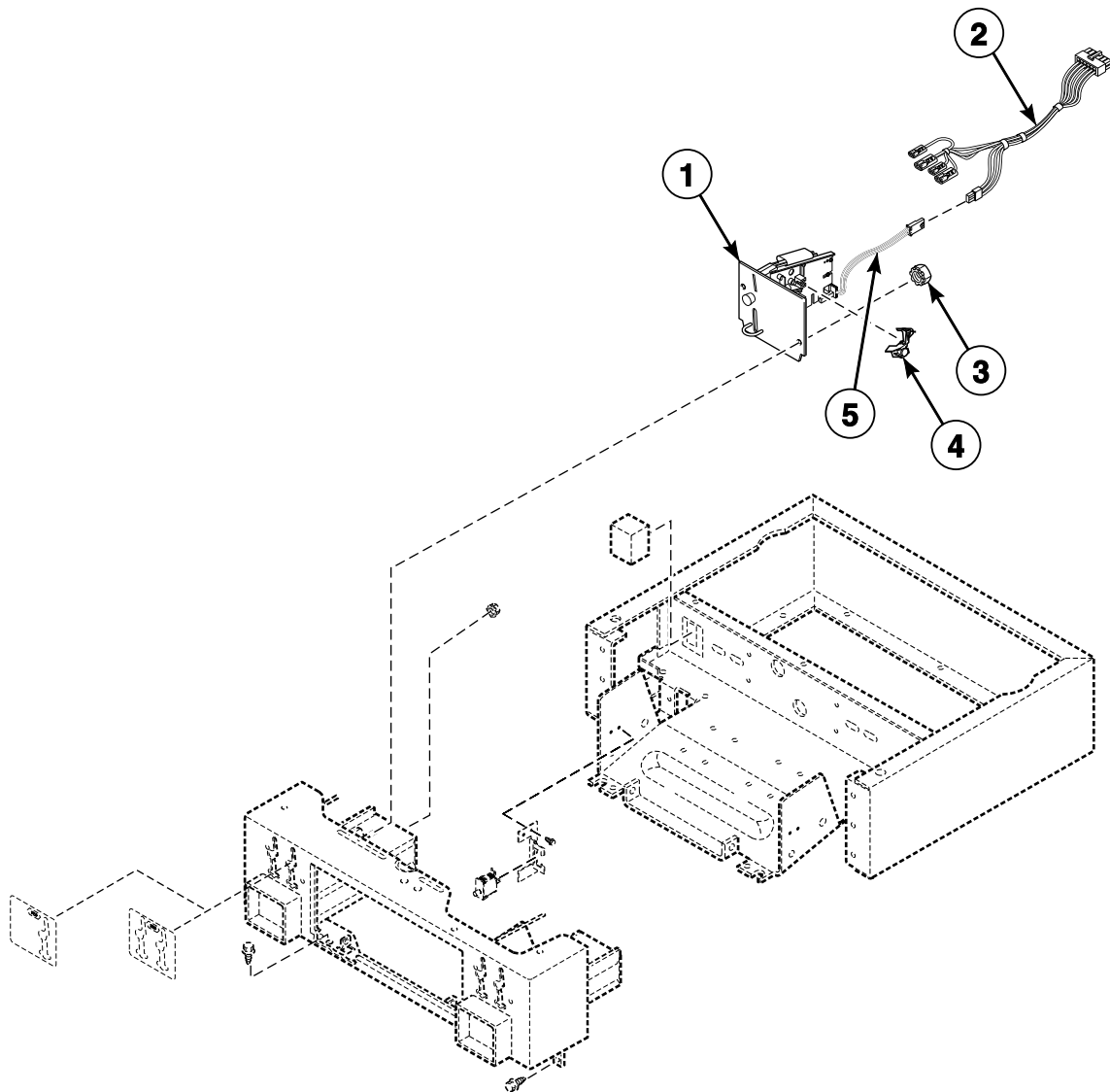
## Control Cabinet Controls - Coin Drop Models

REF	PART NO.	DESCRIPTION	COMMENTS
1	505753WP	Wrapper and Channel Assembly	White
	505753QP	Wrapper and Channel Assembly	Bisque
2	503688	Screw	Models SSE417*F, SSE507*F, SSE507*F1500, SSE517*F, SSE517*F1500, SSG419*F, SSG509*F and SSG519*F
3	38087	Door Switch Bracket	Models SSE417*F, SSE507*F, SSE507*F1500, SSE517*F, SSE517*F1500, SSG419*F, SSG509*F and SSG519*F
4	512973	Switch	Models SSE417*F, SSE507*F, SSE507*F1500, SSE517*F, SSE517*F1500, SSG419*F, SSG509*F and SSG519*F
5	38717	Single Overlay	
6	511632WP	Security Cabinet Front Assembly	White
	511632L	Security Cabinet Front Assembly	Almond
	511632Q	Security Cabinet Front Assembly	Bisque
7	502431	Screw	
8	80077	Nut	

\* Add Letter To Designate Color. L - Almond Q - Bisque W - White

## Non-Electronic Coin Drop - Coin Drop Models

Models BSEBCFGS171TW01, BSGBCFGS111TW01, HSEB17\*J1500, HSEB17\*J99L1, HSEB17\*J99L2, HSET17\*F, HSET17\*F1500, HSEZ17\*F, HSEZ17\*F1500, HSGB19\*J99L1, HSGT19\*F, HSGZ19\*F, SSE417\*F, SSE507\*F, SSE507\*F1500, SSE517\*F, SSE517\*F1500, SSEA17\*J, SSEB07\*J, SSEB07\*J1500, SSEB17\*J, SSEB17\*J1500, SSEH07\*J, SSEH07\*J1500, SSET07\*F, SSET07\*F1500, SSET17\*F, SSET17\*F1500, SSEX07\*F, SSEX07\*F1500, SSEZ07\*F, SSEZ07\*F1500, SSEZ17\*F, SSEZ17\*F1500, SSG419\*F, SSG509\*F, SSG519\*F, SSGA19\*J, SSGB09\*J, SSGB19\*J, SSGH09\*J, SSGT09\*F, SSGT19\*F, SSGX09\*F, SSGX19\*F, SSGZ09\*F and SSGZ19\*F



DRY2215P\_511996

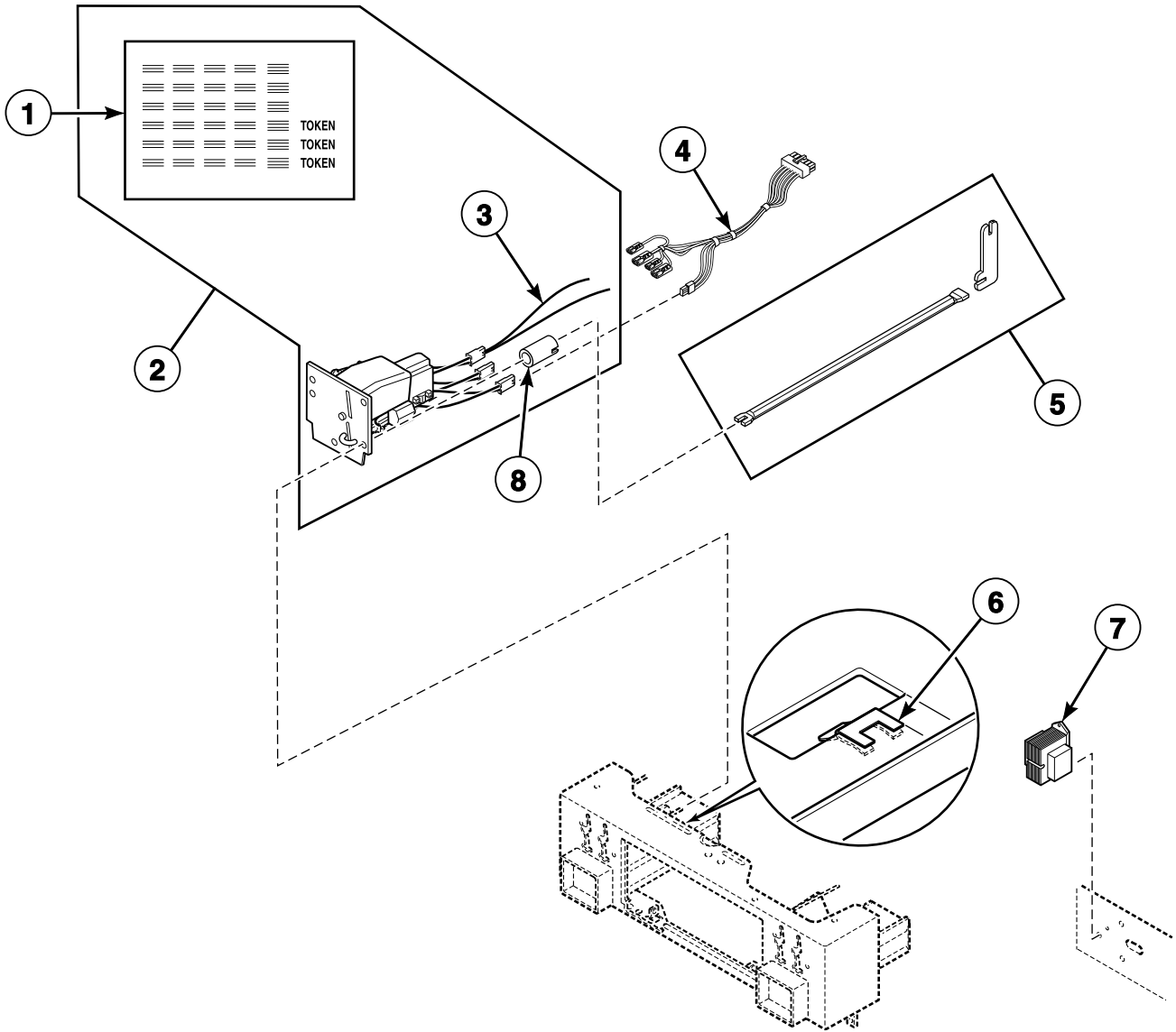
## Non-Electronic Coin Drop - Coin Drop Models

REF	PART NO.	DESCRIPTION	COMMENTS
1	38462P	Coin Drop Assembly	Token; 118-1 mzp
	38463	Coin Drop Assembly	Token; 118-5 mzp
	38464P	Coin Drop Assembly	Canada; .25
	38475	Coin Drop Assembly	Japan; 100 yen
	CK077	Coin Drop Kit	Taiwan; 10 NT
	70441601P	Coin Drop	USA; \$0.25
	38963P	Coin Drop	Token; 118-16 mzp 5 nt
2	39955P	Meter Case Wire Harness Kit	Models SSE417*F, SSE507*F, SSE507*F1500, SSE517*F, SSE517*F1500, SSG419*F, SSG509*F and SSG519*F
	802905	Harness Assembly	All other models
3	29786	Nut	
4	201595P	Wire Guard	Anti-stringing security device; Add to coin drops beginning January 2005
5	200674P	Opto Coupler	

\* Add Letter To Designate Color. L - Almond Q - Bisque W - White

# Electronic Coin Drop - Coin Drop Models

Models BSEBCFGS171TW01, BSGBCFGS111TW01, HSEB17\*J1500, HSEB17\*J99L1, HSEB17\*J99L2, HSET17\*F, HSET17\*F1500, HSEZ17\*F, HSEZ17\*F1500, HSGB19\*J99L1, HSGT19\*F, HSGZ19\*F, SSEA17\*J, SSEB07\*J, SSEB07\*J1500, SSEB17\*J, SSEB17\*J1500, SSEH07\*J, SSEH07\*J1500, SSET07\*F, SSET07\*F1500, SSET17\*F, SSET17\*F1500, SSEX07\*F, SSEX07\*F1500, SSEZ07\*F, SSEZ07\*F1500, SSEZ17\*F, SSEZ17\*F1500, SSGA19\*J, SSGB09\*J, SSGB19\*J, SSGH09\*J, SSGT09\*F, SSGT19\*F, SSGX09\*F, SSGX19\*F, SSGZ09\*F and SSGZ19\*F



DRY2177P\_511996

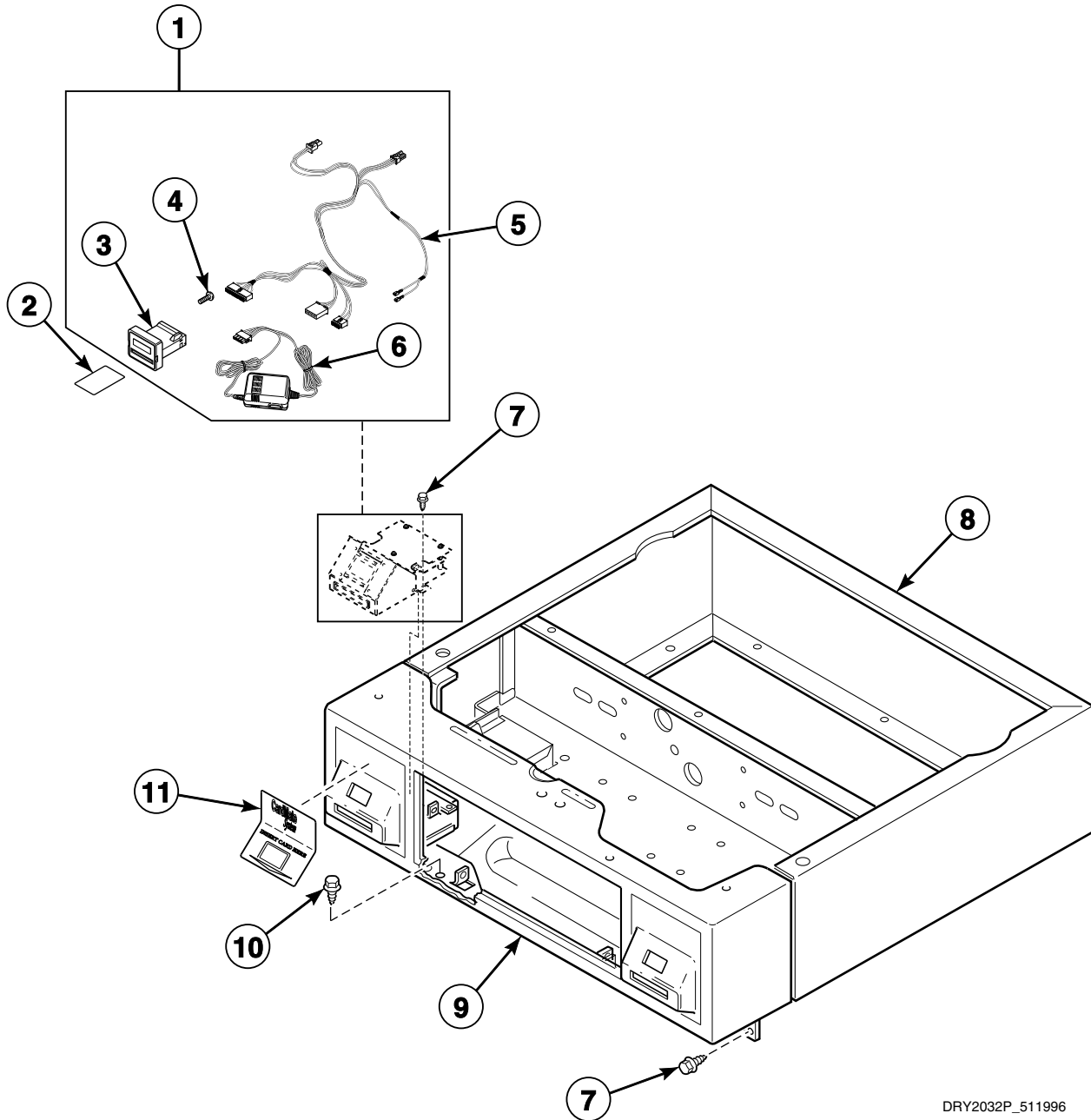
## Electronic Coin Drop - Coin Drop Models

REF	PART NO.	DESCRIPTION	COMMENTS
1	38725	Coin Identification Paper	
2	CK115	Electronic Coin Drop Kit	Includes items 1, 3, 6 and 8; United States and Canada coins
3	201104	Coin Drop Wire Harness	
4	802905	Harness Assembly	Electronic coin drop requires this harness. If unit is not factory-equipped with this harness, it must be ordered separately.
5	CK096	Mounting Tool Kit	
6	201572	Clip	
7	201375P	Transformer	Electronic coin drop requires this transformer. If unit is not factory-equipped with this transformer, it must be ordered separately.
8	201216	Nut	

\* Add Letter To Designate Color. L - Almond Q - Bisque W - White

# Control Cabinet - Card Reader Ready and Installed Models

Models SSE607\*F, SSE617\*F, SSE707\*F, SSE717\*F, SSG609\*F, SSG619\*F, SSG709\*F and SSG719\*F



DRY2032P\_511996



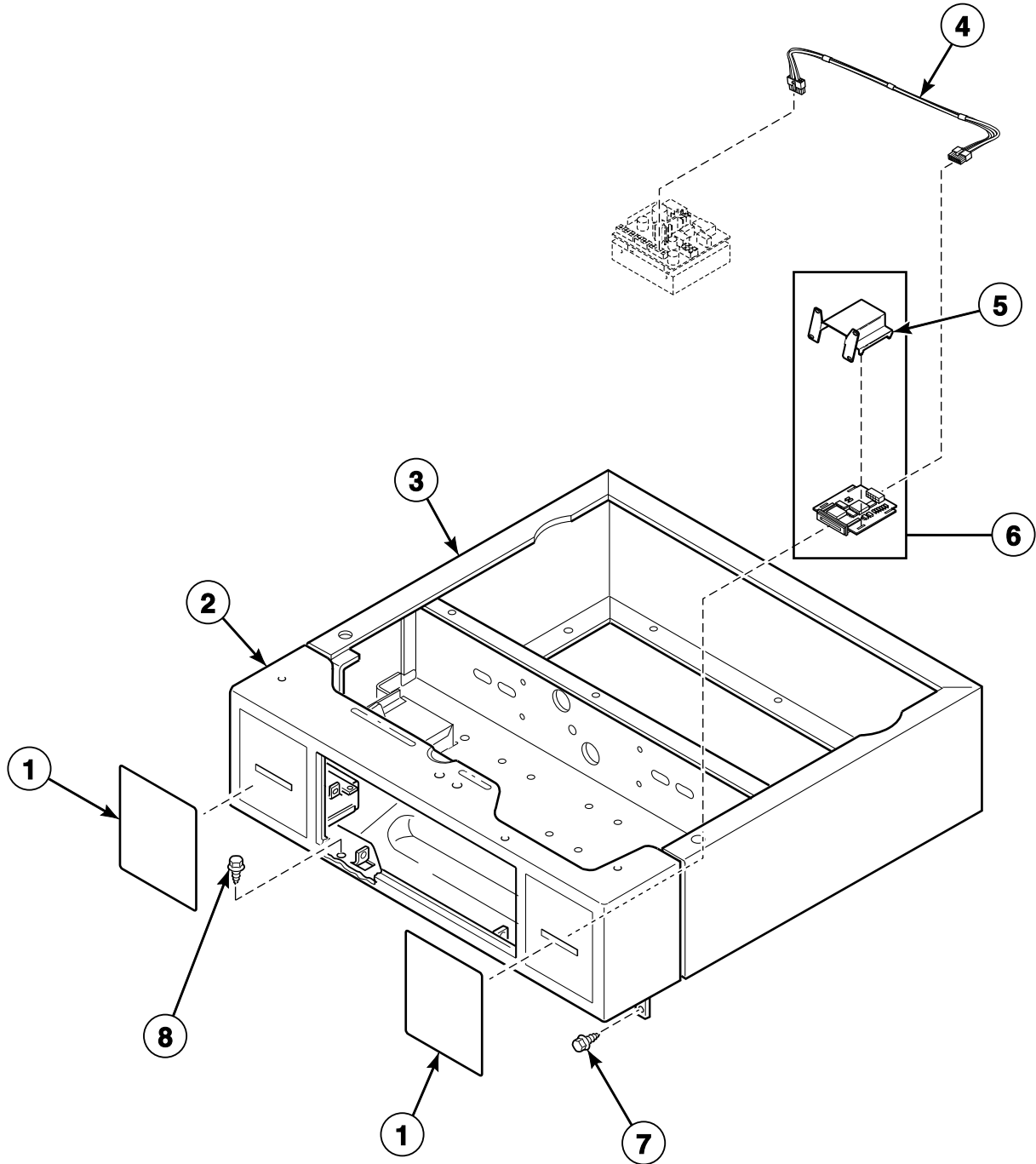
## Control Cabinet - Card Reader Ready and Installed Models

REF	PART NO.	DESCRIPTION	COMMENTS
1	875P3	Card Reader Kit	Includes items 3-6; Models SSE707*F, SSE717*F, SSG709*F and SSG719*F
2	512499P	Programming Card	Models SSE707*F, SSE717*F, SSG709*F and SSG719*F
3	512473	Card Reader	Models SSE707*F, SSE717*F, SSG709*F and SSG719*F
4	512505	Bolt	Models SSE707*F, SSE717*F, SSG709*F and SSG719*F
5	512501	Harness	Models SSE707*F, SSE717*F, SSG709*F and SSG719*F
6	512496	Power Supply	Models SSE707*F, SSE717*F, SSG709*F and SSG719*F
7	503688	Screw	
8	505753WP	Wrapper and Channel Assembly	White
	505753QP	Wrapper and Channel Assembly	Bisque
9	503428W	Security Cabinet Front Assembly	White; For use with 39685 Card Reader; Models SSE707*F, SSE717*F, SSG709*F and SSG719*F
	505227W	Security Cabinet Front Assembly	White; For use with 875P3 Card Reader Kit (Card Reader Installed models)
10	502431	Screw	
11	38192	Card Reader Instruction Overlay	

\* Add Letter To Designate Color. L - Almond Q - Bisque W - White

# Control Cabinet - Integrated Card Reader Installed and Card Ready Models

Models BSEBYFGS171TW01, BSGBYFGS111TW01, HSEY17\*F, HSEY17\*F1500, HSGY19\*F, SSEC07\*J, SSEF07\*J, SSEF17\*J, SSEY07\*F, SSEY07\*F1500, SSEY17\*F, SSGC09\*J, SSGF09\*J, SSGF19\*J, SSGY09\*F and SSGY19\*F



DRY2211P\_511996

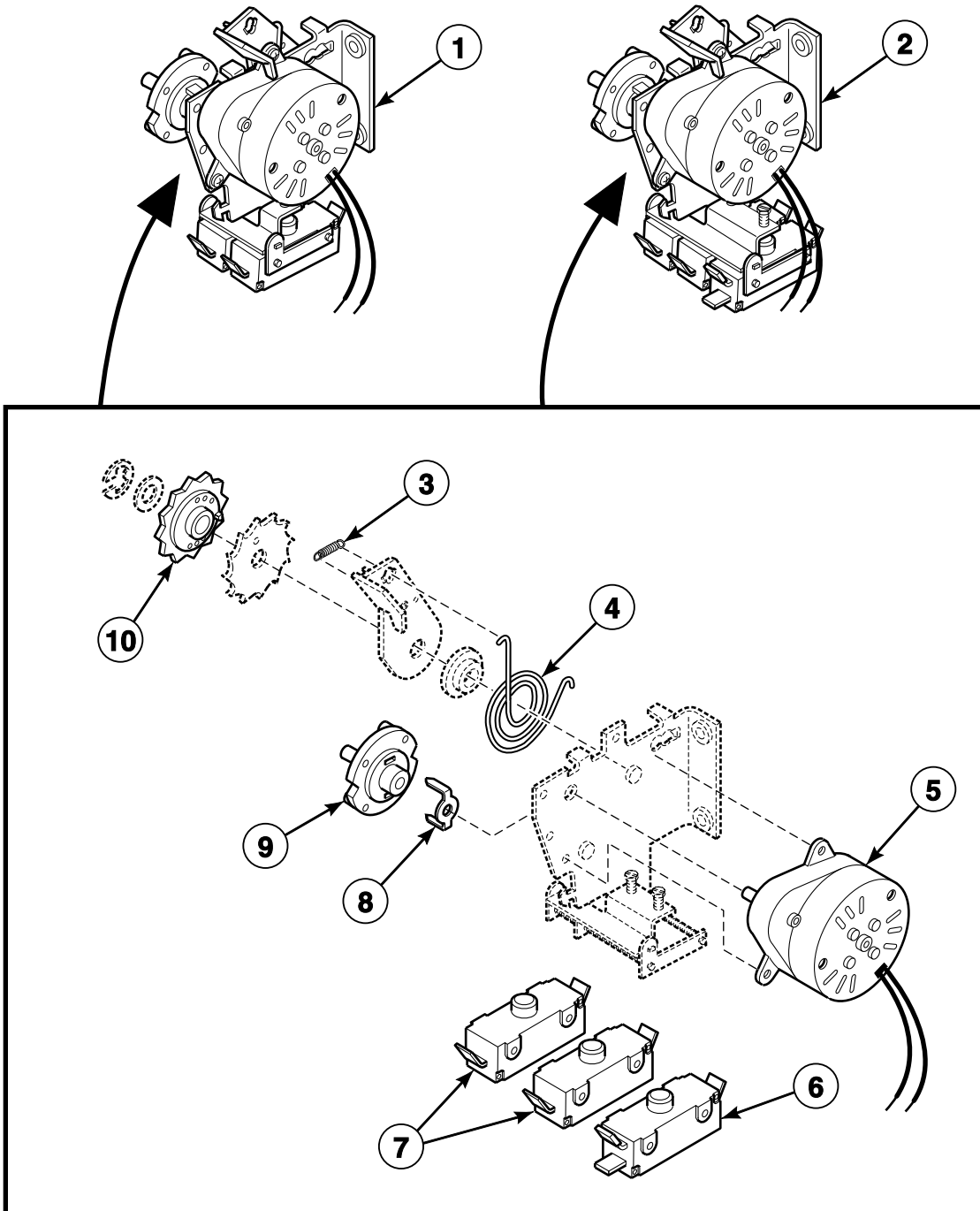
## Control Cabinet - Integrated Card Reader Installed and Card Ready Models

REF	PART NO.	DESCRIPTION	COMMENTS
1	800230	Card Reader Overlay	Models SSEF07*J, SSEF17*J, SSGF09*J and SSGF19*J
	511548	Card Insert Overlay	Models HSEY17*F, HSEY17*F1500 and HSGY19*F
	511544	Card Insert Overlay	Models BSEBYFGS171TW01, BSGBYFGS111TW01, SSEY07*F, SSEY07*F1500, SSEY17*F, SSGY09*F and SSGY19*F
2	505227W	Security Cabinet Front Assembly	White; Models SSEC07*J and SSGC09*J
	511208W	Security Cabinet Front Assembly	White; All other models
	511208L	Security Cabinet Front Assembly	Almond; All other models
	511208Q	Security Cabinet Front Assembly	Bisque; All other models
3	505753WP	Wrapper and Channel Assembly	White
	505753QP	Wrapper and Channel Assembly	Bisque
4	800125P	Card Reader Wire Harness Assembly	Models SSEF07*J, SSEF17*J, SSGF09*J and SSGF19*J
5	510045	Card Reader Bracket	Models SSEF07*J, SSEF17*J, SSGF09*J and SSGF19*J
6	510068P	Card Reader and Bracket Assembly	Includes item 5; Models SSEF07*J, SSEF17*J, SSGF09*J and SSGF19*J
7	503688	Screw	
8	502431	Screw	

\* Add Letter To Designate Color. L - Almond Q - Bisque W - White

# Accumulator - Coin Slide Ready Models

Models HSE117\*F, HSG119\*F, SSE107\*F, SSE107\*F1500, SSE107\*F1724, SSE107\*F99L6, SSE107\*F99L7, SSE117\*F, SSE117\*F1500, SSE307\*F, SSE307\*F1500, SSG109\*F, SSG109\*F1124, SSG109\*F99L6, SSG109\*F99L7, SSG119\*F and SSG309\*F



DRY1830P\_511996

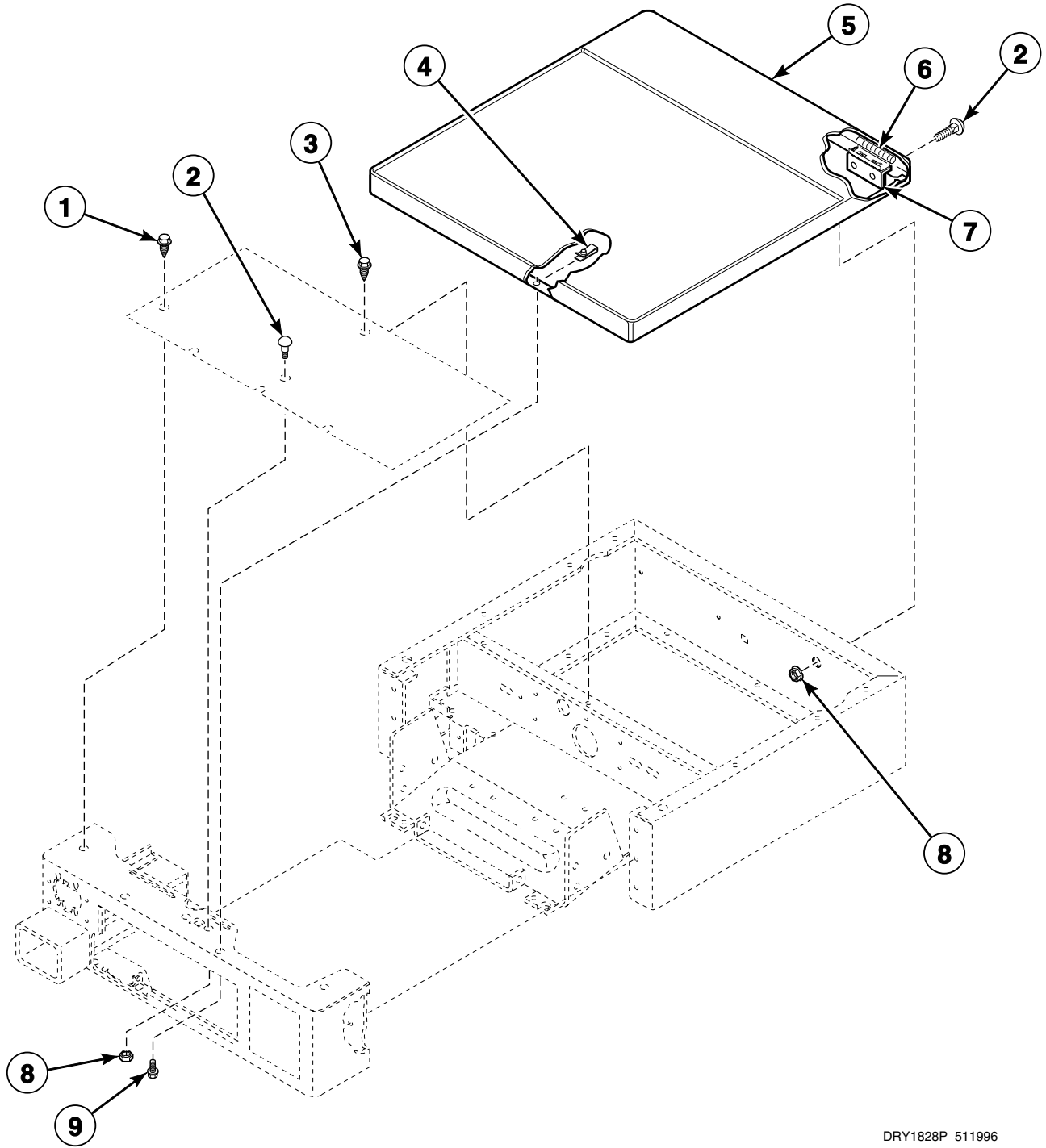
## Accumulator - Coin Slide Ready Models

REF	PART NO.	DESCRIPTION	COMMENTS
1	510628P	Accumulator Replacement Kit	120 Volt/60 Hertz; 2 switch; Models HSE117*F, HSG119*F, SSE107*F, SSE107*F1500, SSE107*F1724, SSE107*F99L6, SSE107*F99L7, SSE117*F, SSE117*F1500, SSG109*F, SSG109*F1124, SSG109*F99L6, SSG109*F99L7 and SSG119*F
2	510630P	Accumulator Replacement Kit	120 Volt/60 Hertz; 3 switch; Models SSE307*F, SSE307*F1500 and SSG309*F
3	N/A	Pawl Spring	
4	53261	Spring	
5	512017P	Timer Motor	
6	N/A	Snap Switch	Use only with 3 switch accumulators; Models SSE307*F, SSE307*F1500 and SSG309*F
7	N/A	Switch	
8	M400754	Coin Meter Drive	
9	53240	Timing Cam	60 minute; 3 pin
	53241	Timing Cam	45 minute; 4 pin
	53242	Timing Cam	30 minute; 6 pin
	53243	Timing Cam	20 minute; 9 pin
10	53239	Ratchet Wheel	

\* Add Letter To Designate Color. L - Almond Q - Bisque W - White

N/A = Part no longer available

# Cabinet Top



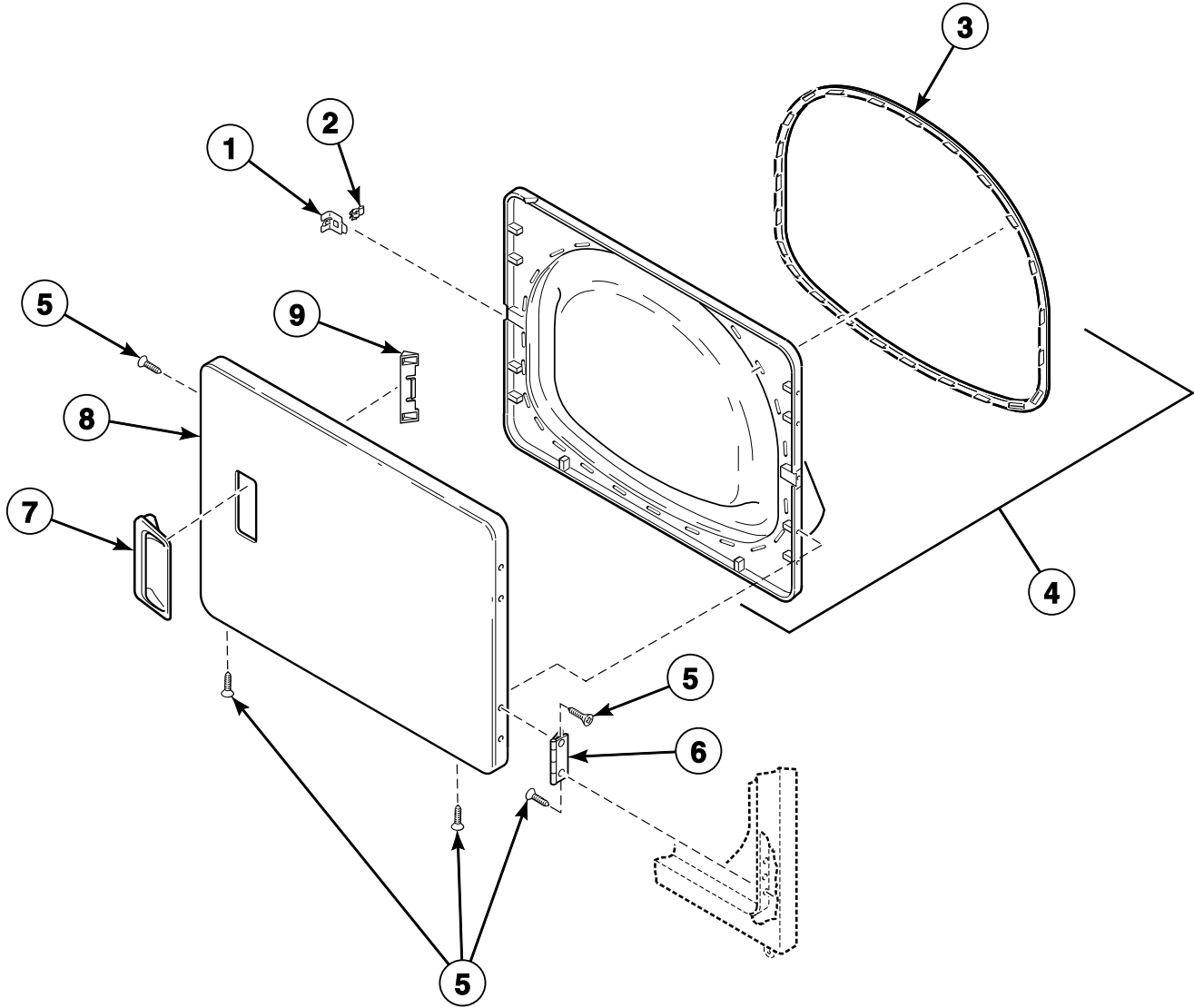
DRY1828P\_511996

# Cabinet Top

REF	PART NO.	DESCRIPTION	COMMENTS
1	36048	Screw	
2	29651	Bolt	
3	503688	Screw	
4	36020	Nut	
5	510032WP	Top Kit	White
	510032LP	Top Kit	Almond
	510032QP	Top Kit	Bisque
6	511036	Hinge	
7	504228	Top Mounting Bracket	
8	44087201	Nut	
9	23008	Screw	

# Loading Door without Window

Models BSE807\*F, BSE907\*F, BSEBCFGS171TW01, BSEBYFGS171TW01, BSG809\*F, BSG909\*F, BSGBCFGS111TW01, BSGBYFGS111TW01, JSE807\*F, JSE907\*F, JSG809\*F, JSG909\*F, SSE007\*F, SSE007\*F1500, SSE007\*F99H2, SSE107\*F, SSE107\*F1500, SSE107\*F1724, SSE107\*F99L6, SSE107\*F99L7, SSE307\*F, SSE307\*F1500, SSE507\*F, SSE507\*F1500, SSE607\*F, SSE707\*F, SSE807\*F, SSE807\*F1500, SSE907\*F, SSE907\*F1500, SSE907\*F1724, SSEB07\*J, SSEB07\*J1500, SSEC07\*J, SSEF07\*J, SSEH07\*J, SSEH07\*J1500, SSET07\*F, SSET07\*F1500, SSEX07\*F, SSEX07\*F1500, SSEY07\*F, SSEY07\*F1500, SSEZ07\*F, SSEZ07\*F1500, SSG009\*F, SSG109\*F, SSG109\*F1124, SSG109\*F99L6, SSG109\*F99L7, SSG309\*F, SSG509\*F, SSG609\*F, SSG709\*F, SSG809\*F, SSG909\*F, SSG909\*F1124, SSGB09\*J, SSGC09\*J, SSGF09\*J, SSGH09\*J, SSGT09\*F, SSGX09\*F, SSGY09\*F, SSGZ09\*F, USE007\*F, USE807\*F, USG009\*F and USG809\*F



DRY1775P\_511996



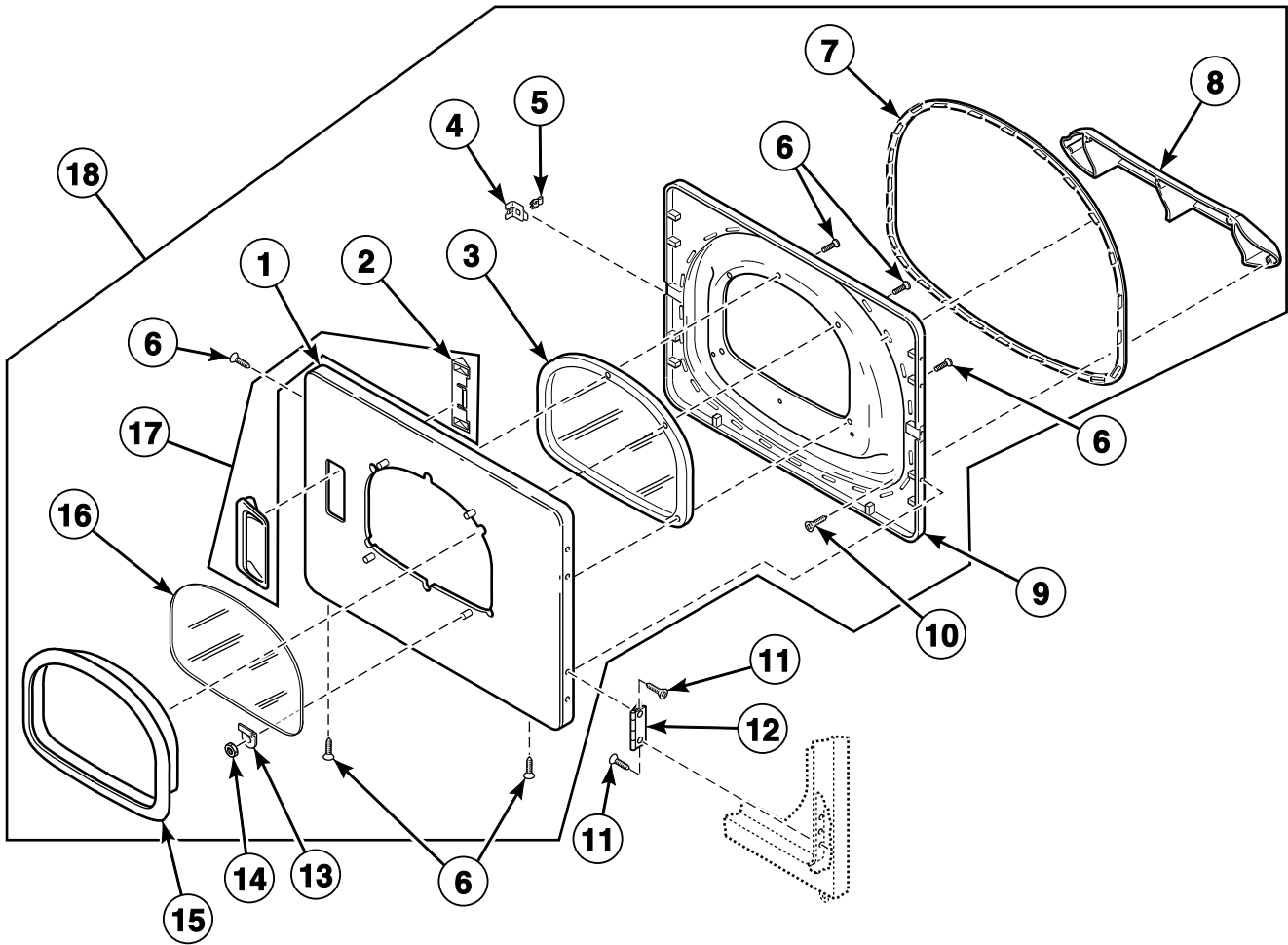
## Loading Door without Window

REF	PART NO.	DESCRIPTION	COMMENTS
1	510127	Door Strike Mount	
2	510181	Door Strike	
3	510147P	Liner Door Seal	
4	510163WP	Liner, Seal and Grill Assembly	Models BSE907*F, BSEBCFGS171TW01, BSEBYFGS171TW01, JSE807*F, JSE907*F, SSE807*F, SSE807*F1500, SSE907*F, SSE907*F1500, SSET07*F, SSET07*F1500, SSEX07*F, SSEY07*F, SSEY07*F1500 and USE807*F through Serial No. 1303025314; All other models
	513109P	Liner, Seal and Grill Assembly	Gray; Models BSE907*F, BSEBCFGS171TW01, BSEBYFGS171TW01, JSE807*F, JSE907*F, SSE807*F, SSE807*F1500, SSE907*F, SSE907*F1500, SSET07*F, SSET07*F1500, SSEX07*F, SSEY07*F, SSEY07*F1500 and USE807*F starting Serial No. 1303025315
5	505295	Screw	
6	511036	Hinge	
7	510103WP	Door Pull and Wedge Kit	White; Includes item 9
	510103LP	Door Pull and Wedge Kit	Almond; Includes item 9
	510103QP	Door Pull and Wedge Kit	Bisque; Includes item 9
8	510013WP	Dryer Door	White
	510013LP	Dryer Door	Almond
	510013QP	Dryer Door	Bisque
9	510129	Door Handle Wedge	

\* Add Letter To Designate Color. L - Almond Q - Bisque W - White

# Loading Door with Window

Models HSE117\*F, HSE917\*F, HSEB17\*J1500, HSEB17\*J99L1, HSEB17\*J99L2, HSET17\*F, HSET17\*F1500, HSEY17\*F, HSEY17\*F1500, HSEZ17\*F, HSEZ17\*F1500, HSG119\*F, HSG919\*F, HSGB19\*J99L1, HSGT19\*F, HSGY19\*F, HSGZ19\*F, SSE117\*F, SSE117\*F1500, SSE417\*F, SSE517\*F, SSE517\*F1500, SSE617\*F, SSE717\*F, SSE917\*F, SSEA17\*J, SSEB17\*J, SSEB17\*J1500, SSEF17\*J, SSET17\*F, SSET17\*F1500, SSEY17\*F, SSEZ17\*F, SSEZ17\*F1500, SSG119\*F, SSG419\*F, SSG519\*F, SSG619\*F, SSG719\*F, SSG919\*F, SSGA19\*J, SSGB19\*J, SSGF19\*J, SSGT19\*F, SSGX19\*F, SSGY19\*F and SSGZ19\*F



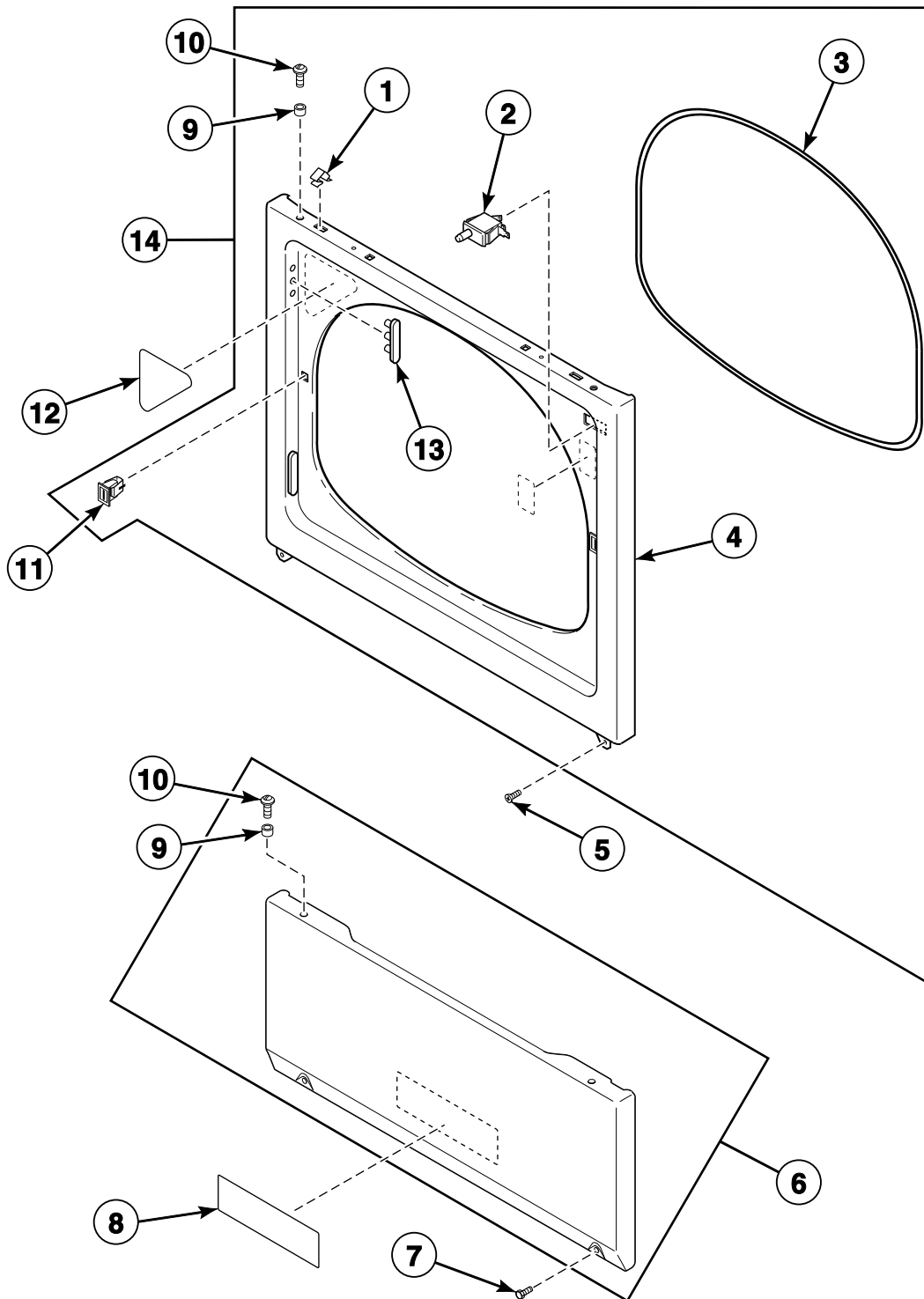
DRY2296P\_511996

## Loading Door with Window

REF	PART NO.	DESCRIPTION	COMMENTS
1	510082WP	Dryer Door	White; Models HSE917*F, HSET17*F, HSEY17*F, SSE917*F, SSET17*F, SSET17*F1500 and SSEY17*F through Serial No. 1303025314; All other models
	510082LP	Dryer Door	Almond; Models HSE917*F, HSET17*F, HSEY17*F, SSE917*F, SSET17*F, SSET17*F1500 and SSEY17*F through Serial No. 1303025314; All other models
	510082QP	Dryer Door	Bisque; Models HSE917*F, HSET17*F, HSEY17*F, SSE917*F, SSET17*F, SSET17*F1500 and SSEY17*F through Serial No. 1303025314; All other models
	514114W	Dryer Door Assembly	Models HSE917*F, HSET17*F, HSEY17*F, SSE917*F, SSET17*F, SSET17*F1500 and SSEY17*F starting Serial No. 1303025315
	514114Q	Dryer Door Assembly	Models HSE917*F, HSET17*F, HSEY17*F, SSE917*F, SSET17*F, SSET17*F1500 and SSEY17*F starting Serial No. 1303025315
2	510129	Door Handle Wedge	
3	503982P	Dryer Door Window	
4	510127	Door Strike Mount	
5	510181	Door Strike	
6	500226	Screw	
7	510147P	Liner Door Seal	
8	503870W	Door Liner Grill	Models HSE917*F, HSET17*F, HSEY17*F, SSE917*F, SSET17*F, SSET17*F1500 and SSEY17*F through Serial No. 1303025314; All other models
	503870LG	Door Liner Grill	Models HSE917*F, HSET17*F, HSEY17*F, SSE917*F, SSET17*F, SSET17*F1500 and SSEY17*F starting Serial No. 1303025315
9	510098W	Liner and Seal Assembly	Includes item 7; Models HSE917*F, HSET17*F, HSEY17*F, SSE917*F, SSET17*F, SSET17*F1500 and SSEY17*F through Serial No. 1303025314; All other models
	510098LG	Liner and Seal Assembly	Includes item 7; Models HSE917*F, HSET17*F, HSEY17*F, SSE917*F, SSET17*F, SSET17*F1500 and SSEY17*F starting Serial No. 1303025315
10	505870	Screw	
11	505295	Screw	
12	511036	Hinge	
13	513958	Window Clip	Models HSE917*F, HSET17*F, HSEY17*F, SSE917*F, SSET17*F, SSET17*F1500 and SSEY17*F starting Serial No. 1303025315
14	44071201	Nut	Models HSE917*F, HSET17*F, HSEY17*F, SSE917*F, SSET17*F, SSET17*F1500 and SSEY17*F starting Serial No. 1303025315
15	503981W	Window Trim	White; Models HSE917*F, HSET17*F, HSEY17*F, SSE917*F, SSET17*F, SSET17*F1500 and SSEY17*F through Serial No. 1303025314; All other models
	503981L	Window Trim	Almond; Models HSE917*F, HSET17*F, HSEY17*F, SSE917*F, SSET17*F, SSET17*F1500 and SSEY17*F through Serial No. 1303025314; All other models
	503981Q	Window Trim	Bisque; Models HSE917*F, HSET17*F, HSEY17*F, SSE917*F, SSET17*F, SSET17*F1500 and SSEY17*F through Serial No. 1303025314; All other models
	513960W	Window Trim	Models HSE917*F, HSET17*F, HSEY17*F, SSE917*F, SSET17*F, SSET17*F1500 and SSEY17*F starting Serial No. 1303025315
	513960Q	Window Trim	Models HSE917*F, HSET17*F, HSEY17*F, SSE917*F, SSET17*F, SSET17*F1500 and SSEY17*F starting Serial No. 1303025315
16	513910	Glass Door Window	Models HSE917*F, HSET17*F, HSEY17*F, SSE917*F, SSET17*F, SSET17*F1500 and SSEY17*F starting Serial No. 1303025315
17	510103WP	Door Pull and Wedge Kit	White; Includes item 2
	510103LP	Door Pull and Wedge Kit	Almond; Includes item 2
	510103QP	Door Pull and Wedge Kit	Bisque; Includes item 2
18	511636WP	Door and Liner Assembly	White; Includes items 1-10, 15 and 17; Models HSE917*F, HSET17*F, HSEY17*F, SSE917*F, SSET17*F, SSET17*F1500 and SSEY17*F through Serial No. 1303025314; All other models
	511636LP	Door and Liner Assembly	Almond; Includes items 1-10, 15 and 17; Models HSE917*F, HSET17*F, HSEY17*F, SSE917*F, SSET17*F, SSET17*F1500 and SSEY17*F through Serial No. 1303025314; All other models
	511636QP	Door and Liner Assembly	Bisque; Includes items 1-10, 15 and 17; Models HSE917*F, HSET17*F, HSEY17*F, SSE917*F, SSET17*F, SSET17*F1500 and SSEY17*F through Serial No. 1303025314; All other models

\* Add Letter To Designate Color. L - Almond Q - Bisque W - White

# Access Panel, Front Panel and Seal



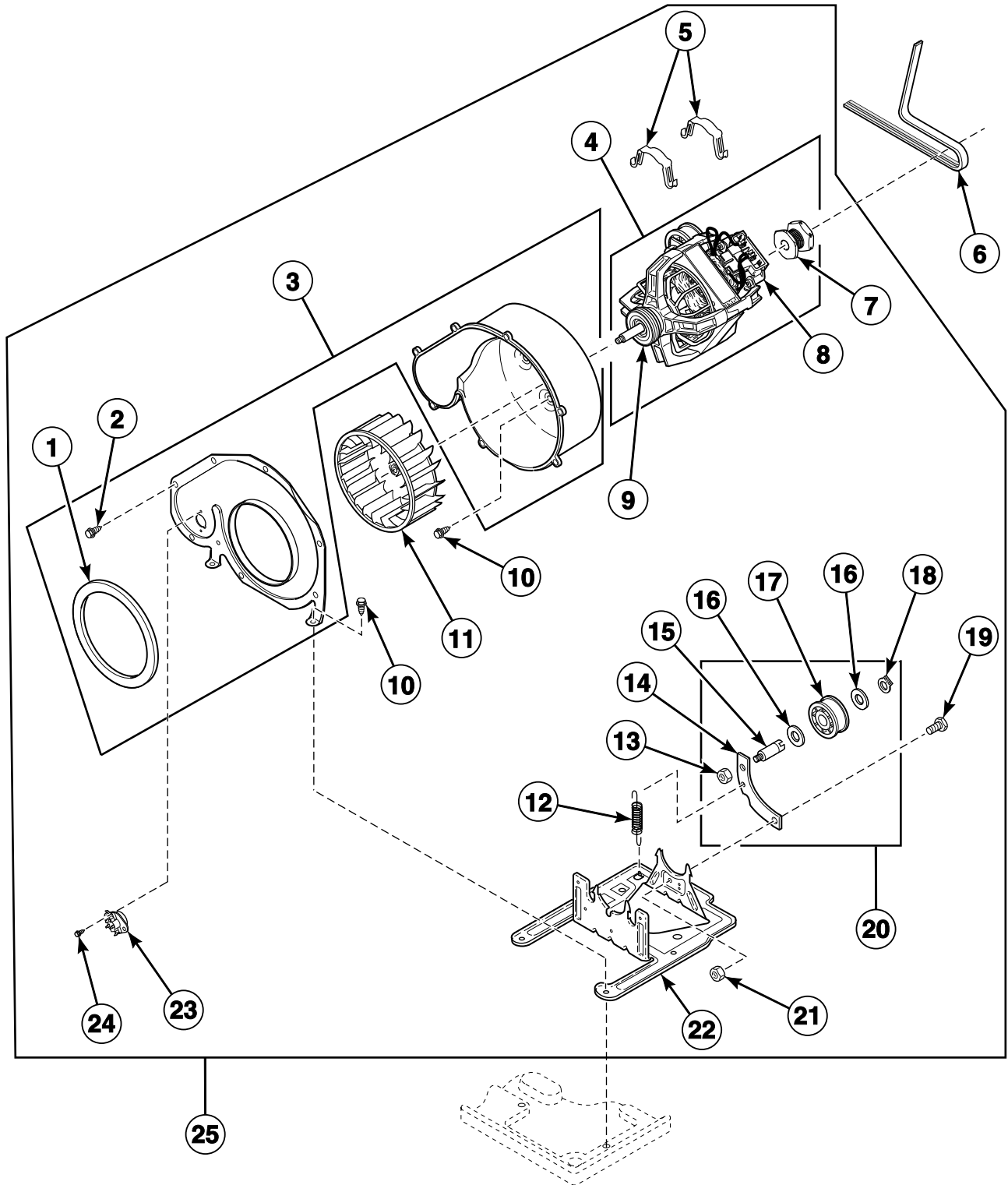
DRY2213P\_511996

## Access Panel, Front Panel and Seal

REF	PART NO.	DESCRIPTION	COMMENTS
1	28835	Speed Clip	1 per side
2	512973	Switch	
3	511056	Front Panel Seal	
4	510066WP	Front Panel	White
	510066LP	Front Panel	Almond
	510066QP	Front Panel	Bisque
5	503688	Screw	
6	514250W	Access Panel Assembly	White; Models BSE907*F, BSEBCFGS171TW01, BSEBYFGS171TW01, HSE917*F, HSET17*F, HSEY17*F, JSE807*F, JSE907*F, SSE807*F, SSE807*F1500, SSE907*F, SSE917*F, SSET07*F, SSET07*F1500, SSET17*F, SSET17*F1500, SSEX07*F, SSEY07*F, SSEY07*F1500, SSEY17*F and USE807*F through Serial No. 1303025314; All other models
	510069LP	Access Panel	Almond; Models BSE907*F, BSEBCFGS171TW01, BSEBYFGS171TW01, HSE917*F, HSET17*F, HSEY17*F, JSE807*F, JSE907*F, SSE807*F, SSE807*F1500, SSE907*F, SSE917*F, SSET07*F, SSET07*F1500, SSET17*F, SSET17*F1500, SSEX07*F, SSEY07*F, SSEY07*F1500, SSEY17*F and USE807*F through Serial No. 1303025314; All other models
	514250Q	Access Panel Assembly	Bisque; Models BSE907*F, BSEBCFGS171TW01, BSEBYFGS171TW01, HSE917*F, HSET17*F, HSEY17*F, JSE807*F, JSE907*F, SSE807*F, SSE807*F1500, SSE907*F, SSE917*F, SSET07*F, SSET07*F1500, SSET17*F, SSET17*F1500, SSEX07*F, SSEY07*F, SSEY07*F1500, SSEY17*F and USE807*F through Serial No. 1303025314; All other models
	514252W	Access Panel and Guard Assembly	White; Models BSE907*F, BSEBCFGS171TW01, BSEBYFGS171TW01, HSE917*F, HSET17*F, HSEY17*F, JSE807*F, JSE907*F, SSE807*F, SSE807*F1500, SSE907*F, SSE917*F, SSET07*F, SSET07*F1500, SSET17*F, SSET17*F1500, SSEX07*F, SSEY07*F, SSEY07*F1500, SSEY17*F and USE807*F starting Serial No. 1303025315
	514252Q	Access Panel and Guard Assembly	Bisque; Models BSE907*F, BSEBCFGS171TW01, BSEBYFGS171TW01, HSE917*F, HSET17*F, HSEY17*F, JSE807*F, JSE907*F, SSE807*F, SSE807*F1500, SSE907*F, SSE917*F, SSET07*F, SSET07*F1500, SSET17*F, SSET17*F1500, SSEX07*F, SSEY07*F, SSEY07*F1500, SSEY17*F and USE807*F starting Serial No. 1303025315
7	33562	Screw	Slotted hex head
	62853	Screw	Torx head; Optional for added security
8	500498	Instructions for Use Label	
9	56079	Panel Locator	1 per side
10	39733	Screw	1 per side
11	514113	Door Catch Assembly	
12	500281	Warning/Caution Label	
13	510186	Hinge Hole Plug	
14	513781W	Front Panel Assembly	Includes items 1-4, 9-11, 13, 511626WP Door Assembly, (2) of 511036 Door Hinge and (8) of 500226 Screw; Models HSE117*F, HSE917*F, HSEB17*J1500, HSEB17*J99L1, HSEB17*J99L2, HSET17*F, HSET17*F1500, HSEY17*F, HSEY17*F1500, HSEZ17*F, HSEZ17*F1500, HSG119*F, HSG919*F, HSGB19*J99L1, HSGT19*F, HSGY19*F, HSGZ19*F, SSE117*F, SSE117*F1500, SSE417*F, SSE517*F, SSE517*F1500, SSE617*F, SSE717*F, SSE917*F, SSEA17*J, SSEB17*J, SSEB17*J1500, SSEF17*J, SSET17*F, SSET17*F1500, SSEY17*F, SSEZ17*F, SSEZ17*F1500, SSG119*F, SSG419*F, SSG519*F, SSG619*F, SSG719*F, SSG919*F, SSGA19*J, SSGB19*J, SSGF19*J, SSGT19*F, SSGX19*F, SSGY19*F and SSGZ19*F

\* Add Letter To Designate Color. L - Almond Q - Bisque W - White

# Motor, Exhaust Fan and Belt



DRY2084P\_511996

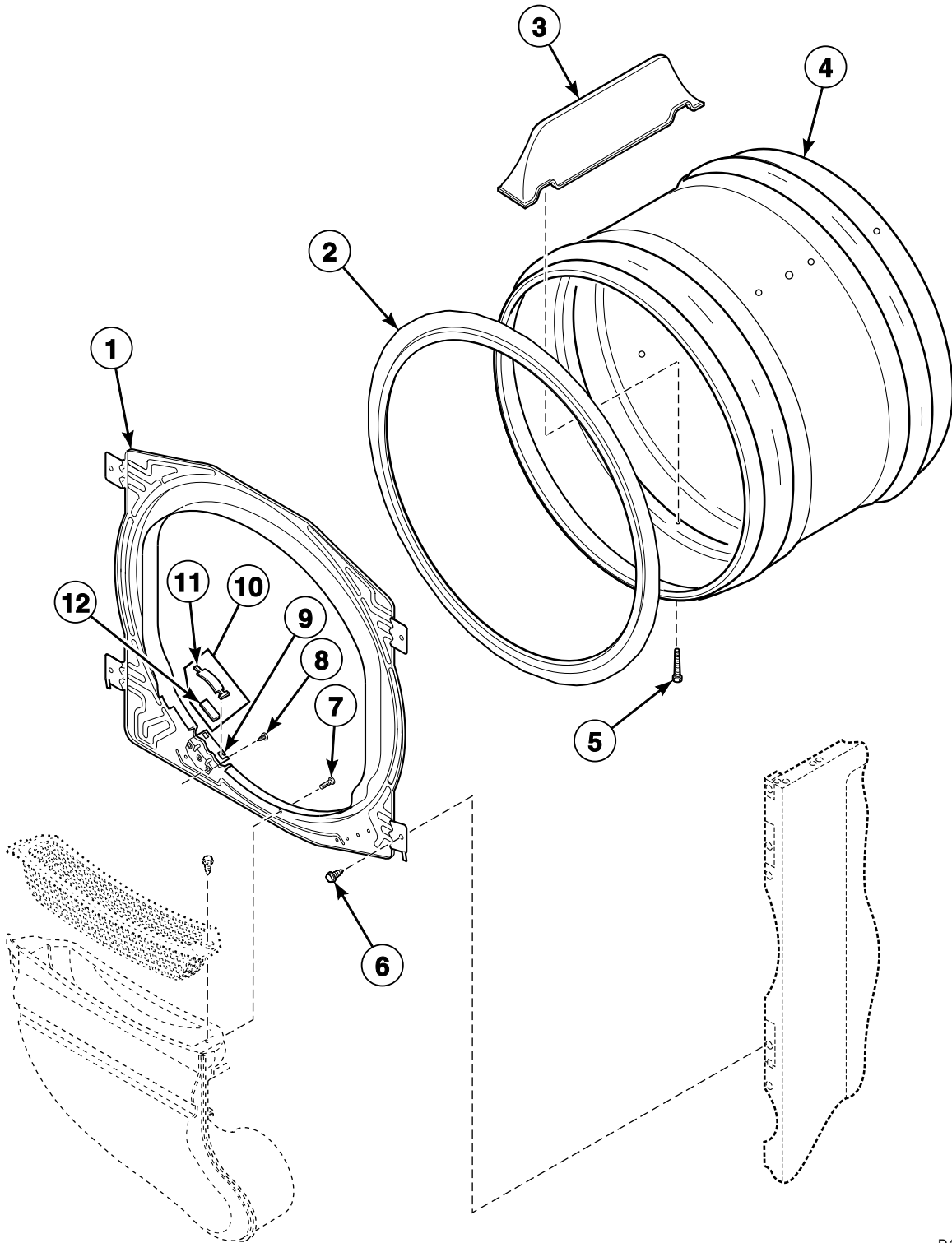
## Motor, Exhaust Fan and Belt

REF	PART NO.	DESCRIPTION	COMMENTS
	27604P	Anti-Seize Compound	Apply to motor shaft when installing blower fan assembly
1	510238P	Blower Housing Seal	
2	31260	Screw	
3	511969WP	Blower Housing	Includes items 1 and 2
4	511629P	Motor and Pulley Assembly	120 Volt/60 Hertz; Apply anti-seize compound to motor shaft when installing blower fan assembly; Includes items 7-9
5	510180	Motor Mount Clamp	
6	511255P	Cylinder Belt	
7	500011	Motor Pulley	60 Hertz
8	N/A	Motor Switch Kit	Does not include thermal protector
9	590P3	Motor Hub Ring Kit	
10	503688	Screw	
11	510139P	Blower Fan Assembly	Apply anti-seize compound to motor shaft when installing blower fan assembly
12	510185	Idler Spring	
13	56156	Nut	
14	510133	Idler Lever	
15	56461P	Shaft	
16	52549	Washer	
17	510142P	Idler Wheel and Bearing Assembly	
18	23748	Retaining Ring	
19	500824	Screw	
20	510158	Idler Lever and Wheel Assembly	Includes items 13-18
21	52566	Nut	
22	510060	Motor Mount	
23	504515	Thermostat	Green; Models HSE117*F, HSG119*F, SSE007*F, SSE007*F1500, SSE007*F99H2, SSE107*F, SSE107*F1500, SSE107*F1724, SSE107*F99L6, SSE107*F99L7, SSE117*F, SSE117*F1500, SSE307*F, SSE307*F1500, SSG009*F, SSG109*F, SSG109*F1124, SSG109*F99L6, SSG109*F99L7, SSG119*F, SSG309*F, USE007*F and USG009*F through Serial No. 0404
	512005	Thermostat	Green/White; Models BSE807*F, BSG809*F, HSE117*F, HSG119*F, JSE807*F, JSG809*F, SSE007*F, SSE007*F1500, SSE007*F99H2, SSE107*F, SSE107*F1500, SSE107*F1724, SSE107*F99L6, SSE107*F99L7, SSE117*F, SSE117*F1500, SSE307*F, SSE307*F1500, SSE807*F, SSE807*F1500, SSG009*F, SSG109*F, SSG109*F1124, SSG109*F99L6, SSG109*F99L7, SSG119*F, SSG309*F, SSG809*F, USE007*F, USE807*F, USG009*F and USG809*F starting Serial No. 0404
	510523	Thermistor Assembly	Black; All other models
24	502535	Screw	
25	510717P	Blower and Fan Kit	Includes items 1-5 and 7-24

\* Add Letter To Designate Color. L - Almond Q - Bisque W - White

N/A = Part no longer available

# Front Bulkhead, Felt Seal and Cylinder



D402P\_511996

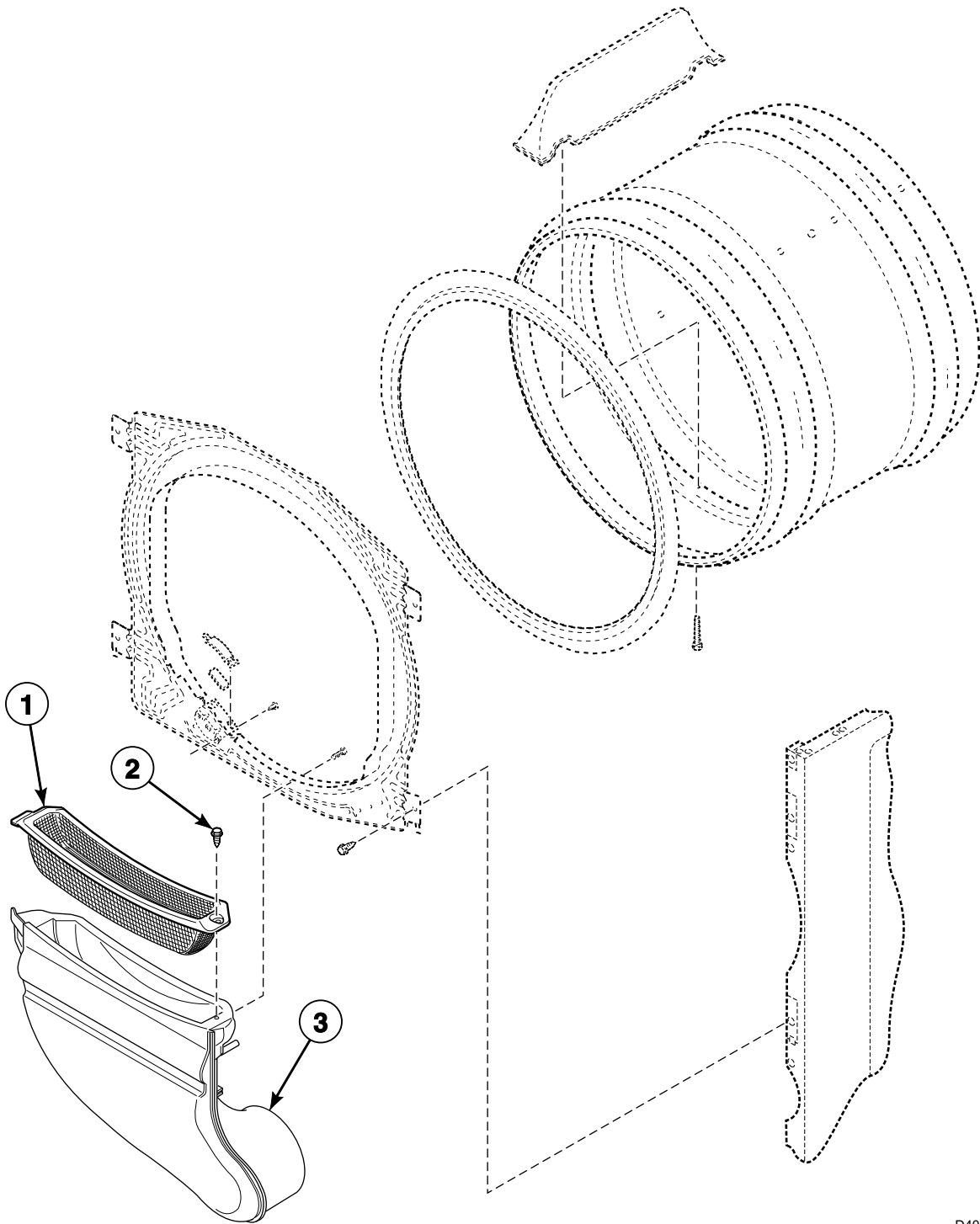


## Front Bulkhead, Felt Seal and Cylinder

REF	PART NO.	DESCRIPTION	COMMENTS
1	511033WP	Front Bulkhead Assembly	Painted; Includes item 2; Model SSE007*F99H2
	510266P	Front Bulkhead Assembly	Unpainted; Includes items 2, 11, 13 and 14; All other models
2	510207P	Cylinder Seal Assembly	
	511637P	Adhesive	Apply to cylinder seal
	RB170001	Seal Kit	Includes 2 cylinder seals, 510238P Blower Housing Seal and 511637P Adhesive
3	510102W	Cylinder Baffle	Models BSE907*F, BSEBCFGS171TW01, BSEBYFGS171TW01, HSE917*F, HSET17*F, HSEY17*F, JSE807*F, JSE907*F, SSE807*F, SSE807*F1500, SSE907*F, SSE907*F1500, SSE917*F, SSET07*F, SSET07*F1500, SSET17*F, SSET17*F1500, SSEX07*F, SSEY07*F, SSEY07*F1500, SSEY17*F and USE807*F through Serial No. 1303025314; All other models
	510102LG	Cylinder Baffle	Models BSE907*F, BSEBCFGS171TW01, BSEBYFGS171TW01, HSE917*F, HSET17*F, HSEY17*F, JSE807*F, JSE907*F, SSE807*F, SSE807*F1500, SSE907*F, SSE907*F1500, SSE917*F, SSET07*F, SSET07*F1500, SSET17*F, SSET17*F1500, SSEX07*F, SSEY07*F, SSEY07*F1500, SSEY17*F and USE807*F starting Serial No. 1303025315
4	510159WP	Cylinder Assembly	Painted; Includes item 3; Model SSE007*F99H2
	510265WP	Cylinder Assembly	Galvanized; Includes item 3; Models BSE907*F, BSEBCFGS171TW01, BSEBYFGS171TW01, HSE917*F, HSET17*F, HSEY17*F, JSE807*F, JSE907*F, SSE807*F, SSE807*F1500, SSE907*F, SSE907*F1500, SSE917*F, SSET07*F, SSET07*F1500, SSET17*F, SSET17*F1500, SSEX07*F, SSEY07*F, SSEY07*F1500, SSEY17*F and USE807*F through Serial No. 1303025314; All other models
	510265LGP	Cylinder Assembly	Galvanized; Includes item 3; Models BSE907*F, BSEBCFGS171TW01, BSEBYFGS171TW01, HSE917*F, HSET17*F, HSEY17*F, JSE807*F, JSE907*F, SSE807*F, SSE807*F1500, SSE907*F, SSE907*F1500, SSE917*F, SSET07*F, SSET07*F1500, SSET17*F, SSET17*F1500, SSEX07*F, SSEY07*F, SSEY07*F1500, SSEY17*F and USE807*F starting Serial No. 1303025315
5	62588	Screw	
6	503688	Screw	
7	505295	Screw	
8	52864	Screw	2 per side
9	510145	Cylinder Glide Bracket	1 per side
10	RB170003	Glide Kit	Includes items 11 and 12
11	510188	Cylinder Glide	1 per side
12	510189	Felt Pad	1 per side

\* Add Letter To Designate Color. L - Almond Q - Bisque W - White

# Air Duct and Lint Filter



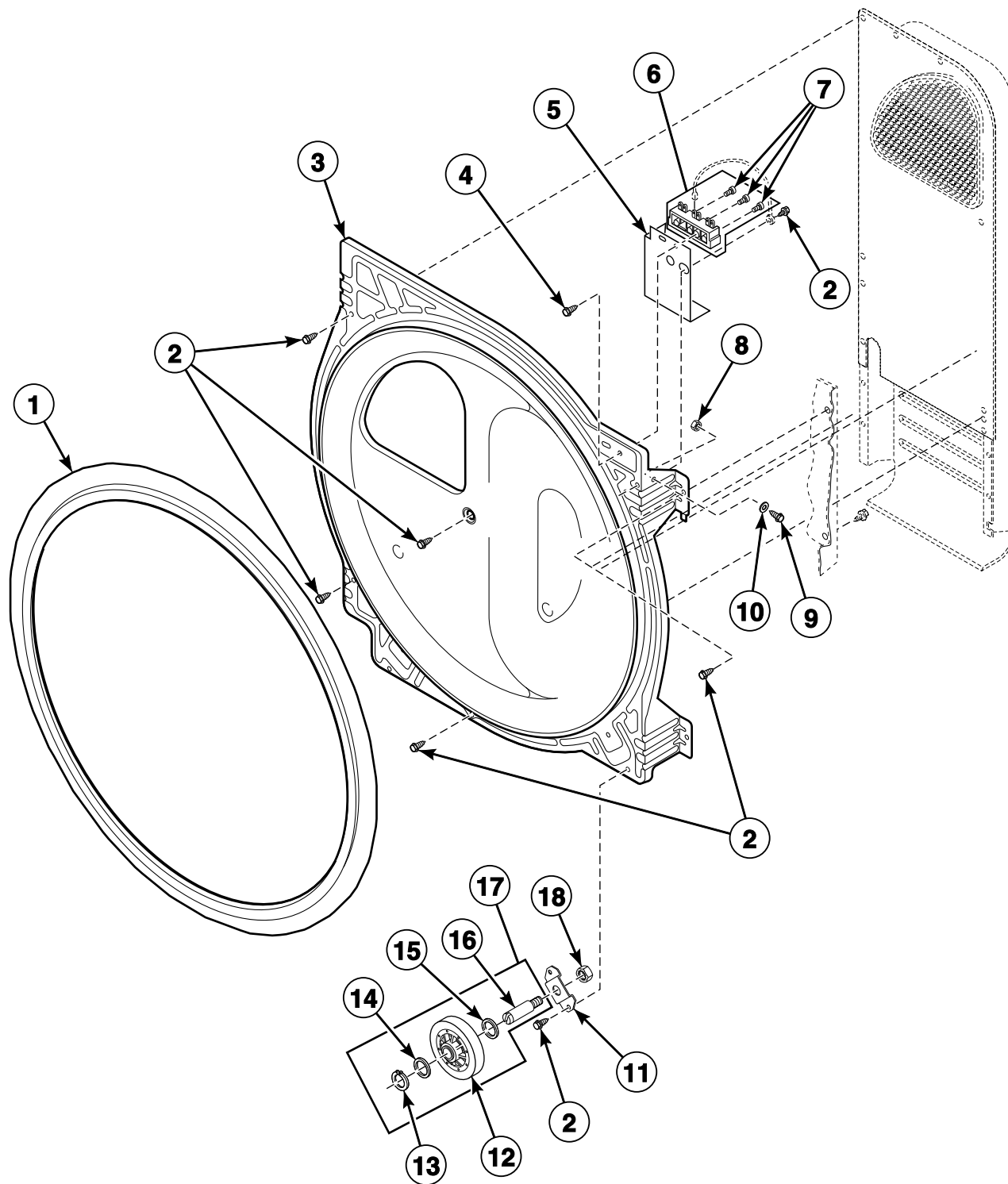
D402PA\_511996

# Air Duct and Lint Filter

REF	PART NO.	DESCRIPTION	COMMENTS
1	503980W	Lint Filter	Models BSE907*F, BSEBCFGS171TW01, BSEBYFGS171TW01, HSE917*F, HSET17*F, HSEY17*F, JSE807*F, JSE907*F, SSE807*F, SSE807*F1500, SSE907*F, SSE907*F1500, SSE917*F, SSET07*F, SSET07*F1500, SSET17*F, SSET17*F1500, SSEX07*F, SSEY07*F, SSEY07*F1500, SSEY17*F and USE807*F through Serial No. 1303025314; All other models
	503980LG	Lint Filter	Models BSE907*F, BSEBCFGS171TW01, BSEBYFGS171TW01, HSE917*F, HSET17*F, HSEY17*F, JSE807*F, JSE907*F, SSE807*F, SSE807*F1500, SSE907*F, SSE907*F1500, SSE917*F, SSET07*F, SSET07*F1500, SSET17*F, SSET17*F1500, SSEX07*F, SSEY07*F, SSEY07*F1500, SSEY17*F and USE807*F starting Serial No. 1303025315
2	501285	Screw	
3	510151W	Air Duct Assembly	Models BSE907*F, BSEBCFGS171TW01, BSEBYFGS171TW01, HSE917*F, HSET17*F, HSEY17*F, JSE807*F, JSE907*F, SSE807*F, SSE807*F1500, SSE907*F, SSE907*F1500, SSE917*F, SSET07*F, SSET07*F1500, SSET17*F, SSET17*F1500, SSEX07*F, SSEY07*F, SSEY07*F1500, SSEY17*F and USE807*F through Serial No. 1303025314; All other models
	510151LG	Air Duct Assembly	Models BSE907*F, BSEBCFGS171TW01, BSEBYFGS171TW01, HSE917*F, HSET17*F, HSEY17*F, JSE807*F, JSE907*F, SSE807*F, SSE807*F1500, SSE907*F, SSE907*F1500, SSE917*F, SSET07*F, SSET07*F1500, SSET17*F, SSET17*F1500, SSEX07*F, SSEY07*F, SSEY07*F1500, SSEY17*F and USE807*F starting Serial No. 1303025315

\* Add Letter To Designate Color. L - Almond Q - Bisque W - White

# Rear Bulkhead, Felt Seal, Cylinder Roller and Terminal Block



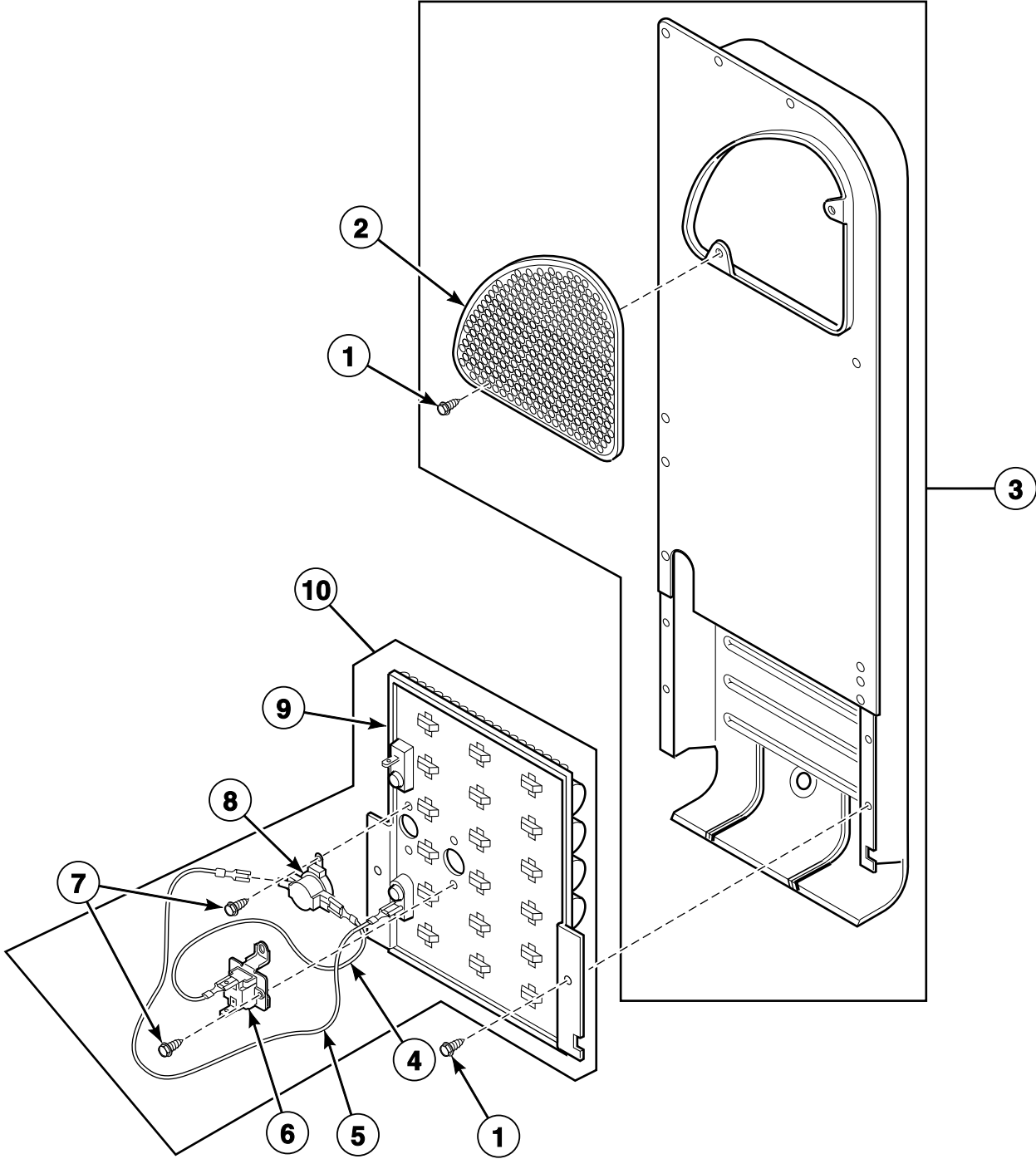
DRY1774P\_511996

# Rear Bulkhead, Felt Seal, Cylinder Roller and Terminal Block

REF	PART NO.	DESCRIPTION	COMMENTS
1	510207P	Cylinder Seal Assembly	
	511637P	Adhesive	Apply to cylinder seal
	RB170001	Seal Kit	Includes 2 cylinder seals, 510238P Blower Housing Seal and 511637P Adhesive
2	503688	Screw	
3	510905WP	Rear Bulkhead Assembly	White; Includes item 1; Model SSE007*F99H2
	511082P	Rear Bulkhead Assembly	Galvanized; Includes item 1; All other models
4	501285	Screw	Electric models
5	510237	Terminal Block Shield	Electric models
6	510190P	Terminal Block Assembly	Electric models; Includes 3 of item 7
7	61199	Screw	
8	28447	Nut	
9	28448	Screw	
10	28449	Washer	
11	510100	Cylinder Roller Bracket	
12	510708P	Cylinder Roller	
13	23748	Retaining Ring	
14	52549	Washer	
15	504082	Washer	
16	56461P	Shaft	
17	RB170002	Roller Kit	Includes items 12-16
18	56156	Nut	

\* Add Letter To Designate Color. L - Almond Q - Bisque W - White

# Heater Duct and Element Assembly - Electric Model Dryers



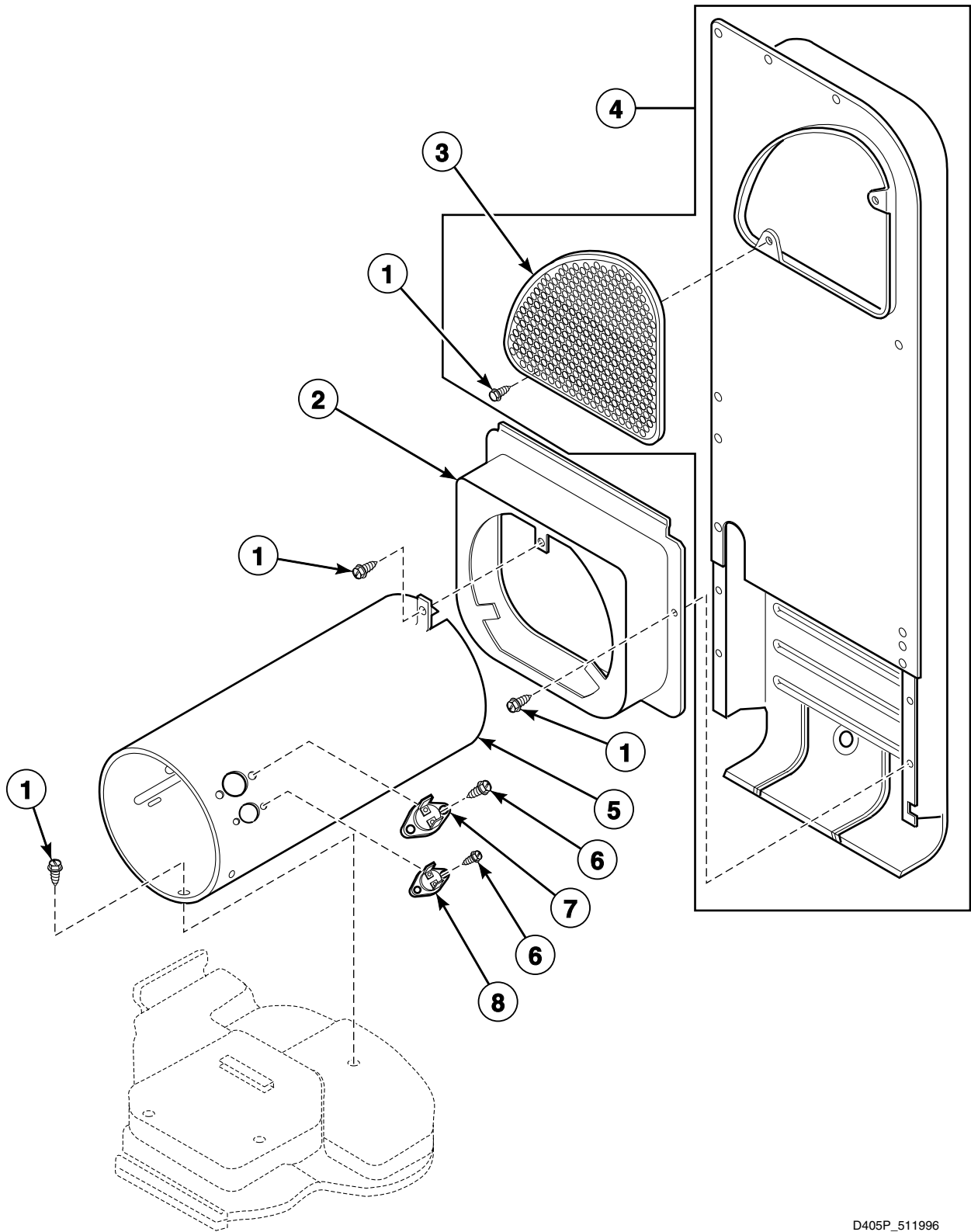
DRY1789P\_511996

# Heater Duct and Element Assembly - Electric Model Dryers

REF	PART NO.	DESCRIPTION	COMMENTS
1	503688	Screw	
2	500820	Outlet Cover	
3	510025P	Heater Duct and Screw Assembly	Includes items 1 and 2
4	510528	Wire Assembly	Orange; Thermostat jumper; Attaches to heater assembly
5	510527	Wire Assembly	Black; Fuse jumper; Attaches to heater assembly
6	511412	Thermal Fuse Assembly	
7	23222	Screw	
8	510701	Limit Thermostat	
9	510325P	Heater	4.75 kW; 208 Volt; Models HSEB17*J1500, HSEB17*J99L2, HSET17*F1500, HSEY17*F1500, HSEZ17*F1500, SSE007*F1500, SSE007*F99H2, SSE107*F1500, SSE117*F1500, SSE307*F1500, SSE507*F1500, SSE517*F1500, SSE807*F1500, SSE907*F1500, SSEB07*J1500, SSEB17*J1500, SSEH07*J1500, SSET07*F1500, SSET17*F1500, SSEX07*F1500, SSEY07*F1500, SSEZ07*F1500 and SSEZ17*F1500
	510329P	Heater Assembly	5.35 kW; 240 Volt; All other models
10	61928	Heater Kit Assembly	4.75 kW; 208 Volt; Includes items 4-9
	964P3	Heater Kit	5.35 kW; 240 Volt; Includes items 4-9

\* Add Letter To Designate Color. L - Almond Q - Bisque W - White

# Heater Duct Assembly - Gas Model Dryers



D405P\_511996

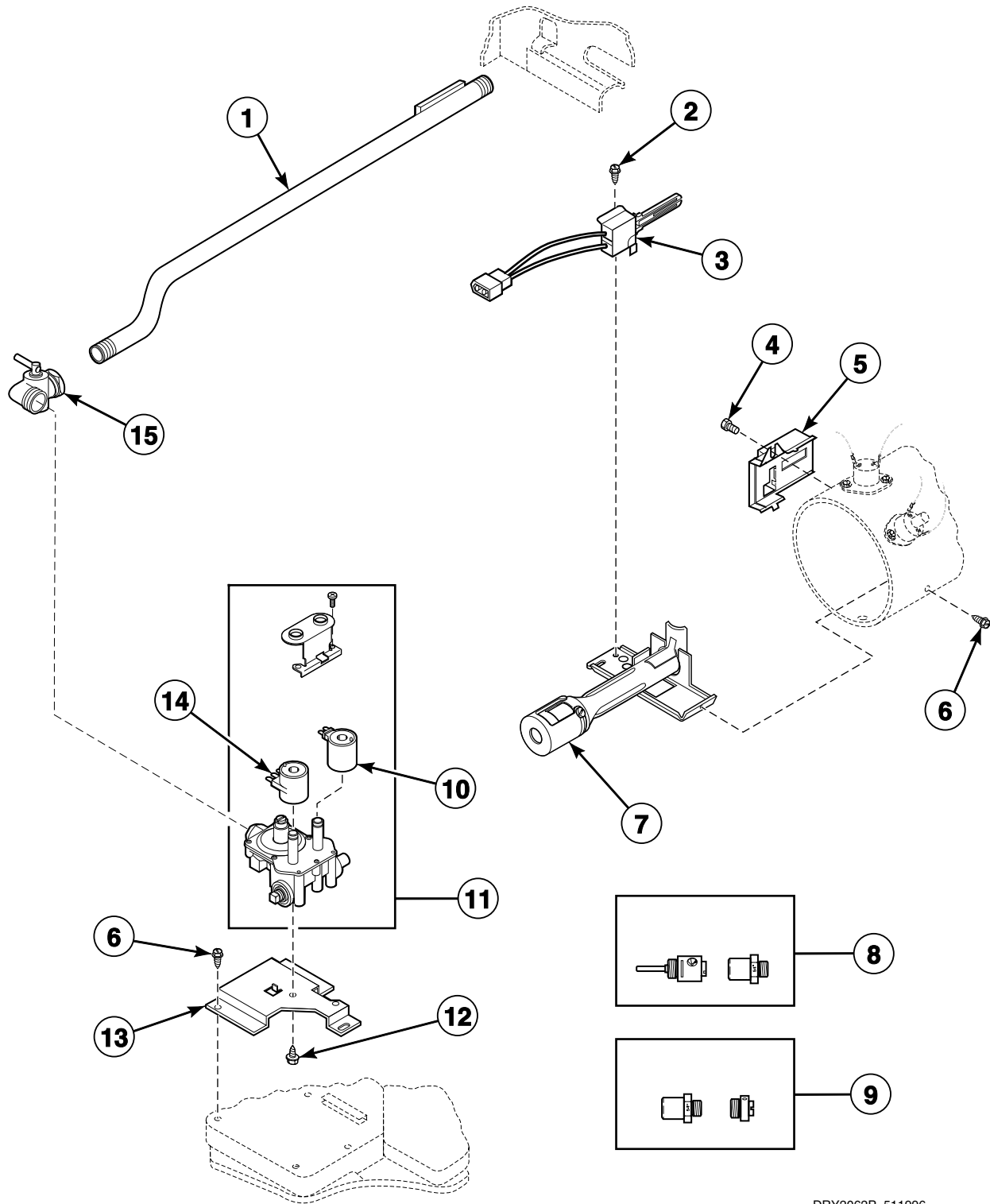


## Heater Duct Assembly - Gas Model Dryers

REF	PART NO.	DESCRIPTION	COMMENTS
1	503688	Screw	
2	510101	Heat Duct Shroud	
3	500820	Outlet Cover	
4	510025P	Heater Duct and Screw Assembly	Includes items 1 and 3
5	510131	Combustion Duct	Models BSG909*F, BSGBCFGS111TW01, BSGBYFGS111TW01, HSG919*F, HSGB19*J99L1, HSGT19*F, HSGY19*F, HSGZ19*F, JSG909*F, SSG419*F, SSG509*F, SSG519*F, SSG609*F, SSG619*F, SSG709*F, SSG719*F, SSG909*F, SSG909*F1124, SSG919*F, SSGA19*J, SSGB09*J, SSGB19*J, SSGC09*J, SSGF09*J, SSGF19*J, SSGH09*J, SSGT09*F, SSGT19*F, SSGX09*F, SSGX19*F, SSGY09*F, SSGY19*F, SSGZ09*F and SSGZ19*F through Serial No. 0803010125; Models BSG809*F, HSG119*F, JSG809*F, SSG009*F, SSG109*F, SSG109*F1124, SSG109*F99L6, SSG109*F99L7, SSG119*F, SSG309*F, SSG809*F, USG009*F and USG809*F
	510132	Combustion Duct	Models BSG909*F, BSGBCFGS111TW01, BSGBYFGS111TW01, HSG919*F, HSGB19*J99L1, HSGT19*F, HSGY19*F, HSGZ19*F, JSG909*F, SSG419*F, SSG509*F, SSG519*F, SSG609*F, SSG619*F, SSG709*F, SSG719*F, SSG909*F, SSG909*F1124, SSG919*F, SSGA19*J, SSGB09*J, SSGB19*J, SSGC09*J, SSGF09*J, SSGF19*J, SSGH09*J, SSGT09*F, SSGT19*F, SSGX09*F, SSGX19*F, SSGY09*F, SSGY19*F, SSGZ09*F and SSGZ19*F starting Serial No. 0803010126
6	51782	Screw	
7	510702	Limit Thermostat	Black; Auto reset
8	510703	Thermostat	Models BSG909*F, BSGBCFGS111TW01, BSGBYFGS111TW01, HSG919*F, HSGB19*J99L1, HSGT19*F, HSGY19*F, HSGZ19*F, JSG909*F, SSG419*F, SSG509*F, SSG519*F, SSG609*F, SSG619*F, SSG709*F, SSG719*F, SSG909*F, SSG909*F1124, SSG919*F, SSGA19*J, SSGB09*J, SSGB19*J, SSGC09*J, SSGF09*J, SSGF19*J, SSGH09*J, SSGT09*F, SSGT19*F, SSGX09*F, SSGX19*F, SSGY09*F, SSGY19*F, SSGZ09*F and SSGZ19*F starting Serial No. 0803010126

# Gas Valve, Igniter and Gas Conversion Kits

Gas Models

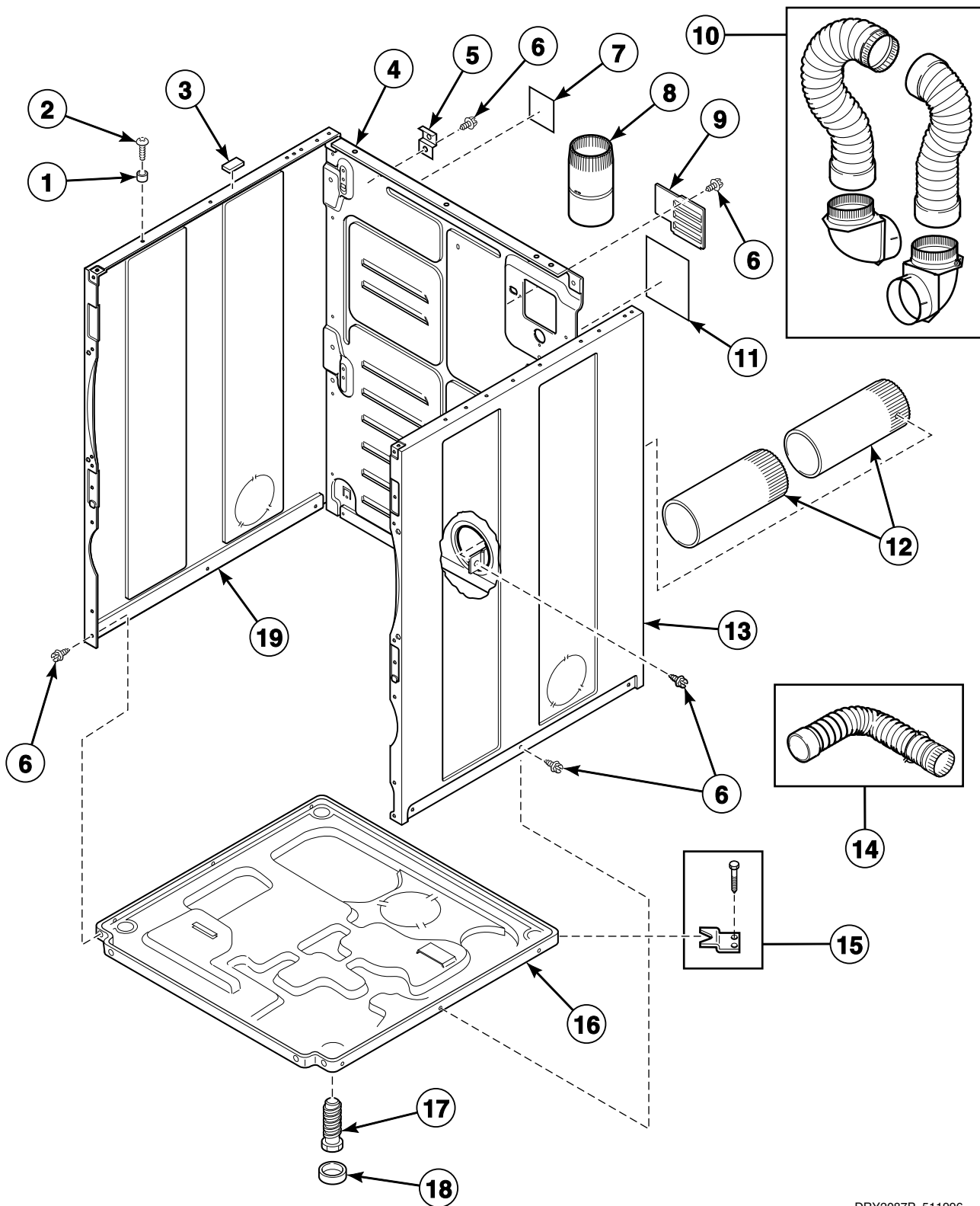


DRY2062P\_511996

## Gas Valve, Igniter and Gas Conversion Kits

REF	PART NO.	DESCRIPTION	COMMENTS
1	510204	Lead-In Pipe Assembly	
2	51782	Screw	
3	510184P	Igniter and Bracket Assembly	
4	23222	Screw	
5	510213	Sensor	
6	503688	Screw	
7	510149P	Burner Assembly	
8	458P3	L.P. Conversion Kit	2 required; Used to convert dryers from Natural Gas (N.G.) or Mixed Gas to Liquid Petroleum Gas (L.P.); For 25,000 Btu
9	459P3	N.G. Conversion Kit	2 required; Used to convert dryers from L.P. to N.G. or Mixed Gas; For 25,000 Btu
10	58804B	Secondary Coil	
11	60353P	Gas Valve Assembly	25,000 Btu; Includes items 10 and 14
12	56124	Screw	
13	510128	Gas Valve Mounting Bracket	
14	58804A	Booster and Holding Coil	
15	510205	Elbow Shut-Off Valve	

# Cabinet, Exhaust Duct and Base



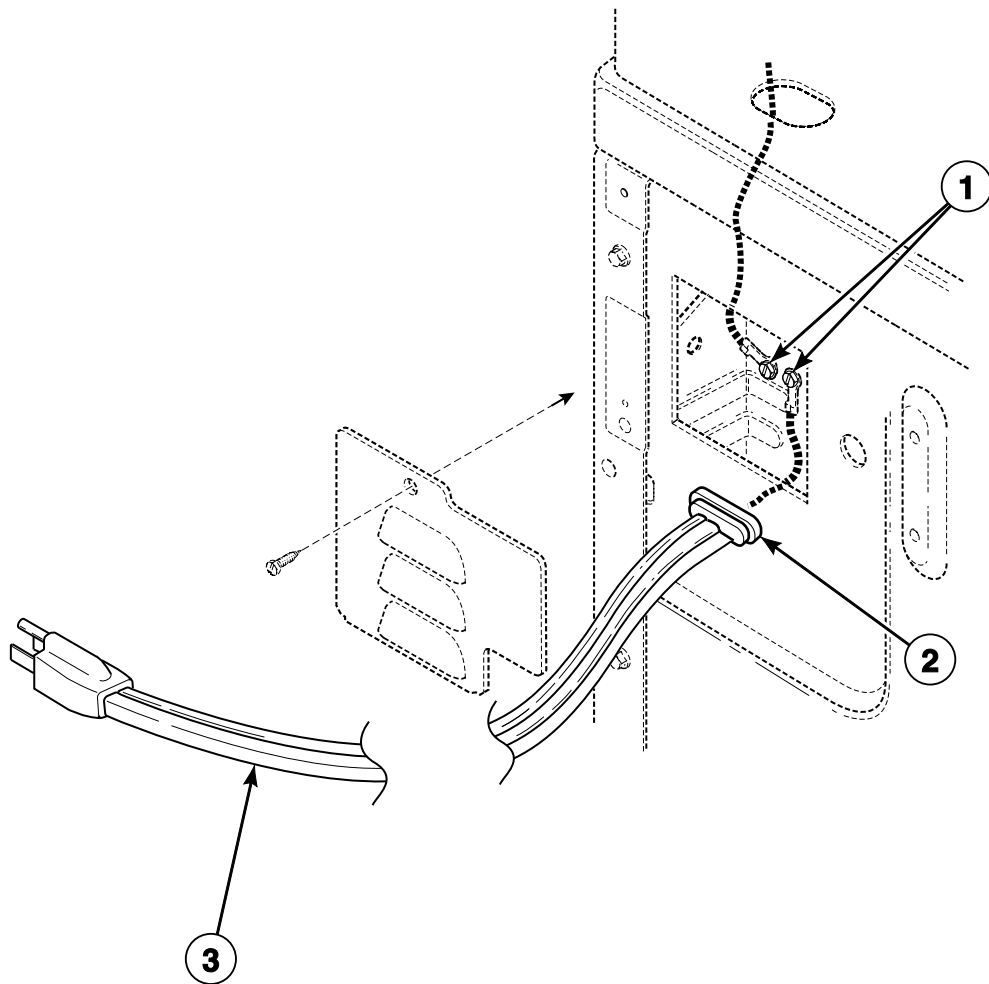
DRY2087P\_511996

## Cabinet, Exhaust Duct and Base

REF	PART NO.	DESCRIPTION	COMMENTS
	122P4P	Porcelain Touch-Up Paint	White
	215P4P	Porcelain Touch-Up Paint	Almond
	370P4P	Porcelain Touch-Up Paint	Bisque
<b>1</b>	56079	Panel Locator	
<b>2</b>	39733	Screw	
<b>3</b>	56128	Bumper Pad	
<b>4</b>	510005P	Cabinet Rear Panel	
<b>5</b>	510136	Top Hinge	
<b>6</b>	503688	Screw	
<b>7</b>	511004	Gas Clearance Label	Gas models
<b>8</b>	58786	Damper	Use when connecting to a manifold vent system.
<b>9</b>	510903	Access Panel Plate	
<b>10</b>	521P3	Flexible Venting Kit	
<b>11</b>	511005	Electric Clearance Label	Electric models
<b>12</b>	510137	Exhaust Duct	Each dryer requires 2 pieces
<b>13</b>	510002WP	Cabinet Side Panel	White; Right
	510002LP	Cabinet Side Panel	Almond; Right
	510002QP	Cabinet Side Panel	Bisque; Right
<b>14</b>	528P3	Directional Exhaust Kit	Used to vent dryer out the sides or bottom
<b>15</b>	526P3	Hold Down Kit	For mobile home installations
<b>16</b>	513901	Dryer Base	
<b>17</b>	510135	Leveling Leg	
<b>18</b>	501855	Rubber Foot	
<b>19</b>	510001WP	Cabinet Side Panel	White; Left
	510001LP	Cabinet Side Panel	Almond; Left
	510001QP	Cabinet Side Panel	Bisque; Left

# Power Cord

Gas Models

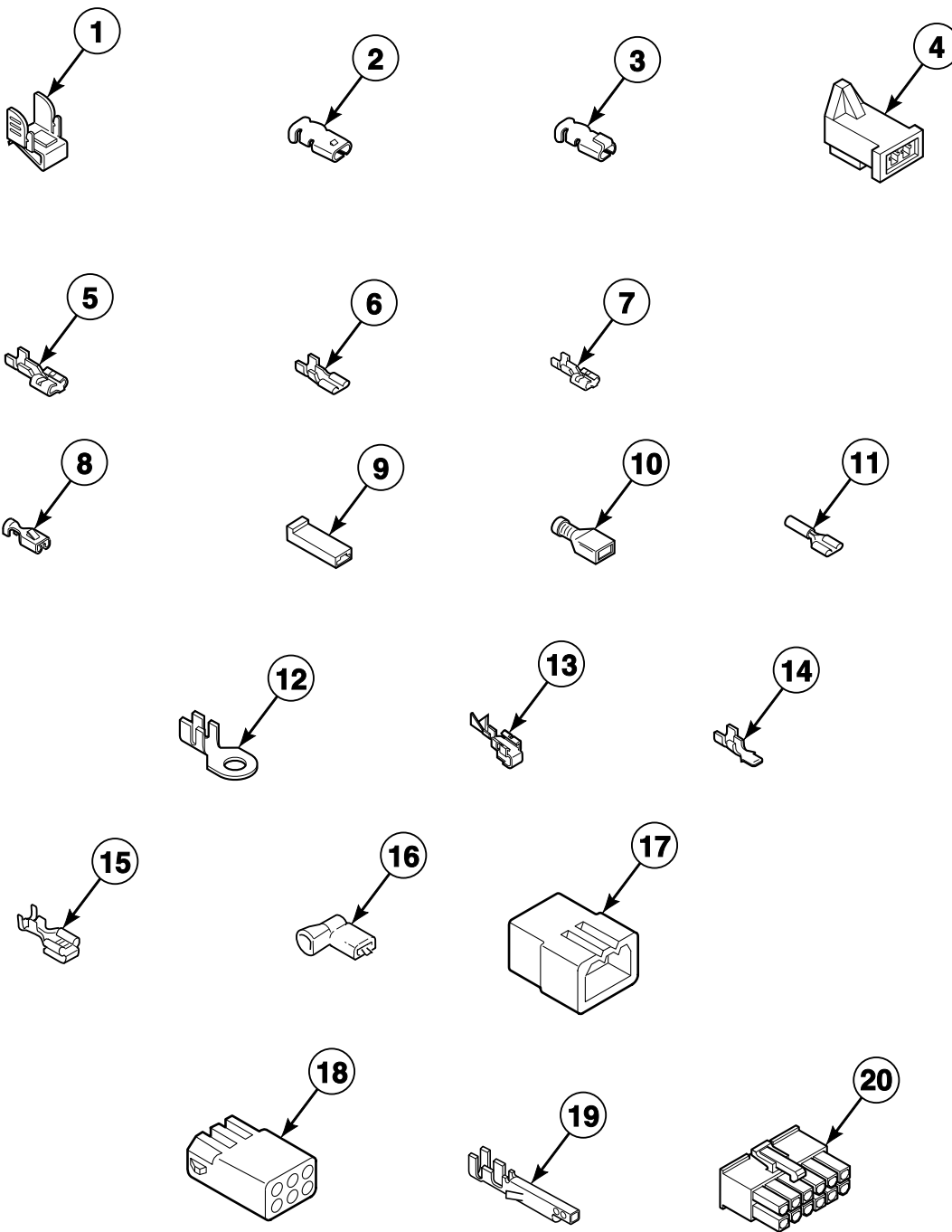


DRY1879P\_511996

# Power Cord

REF	PART NO.	DESCRIPTION	COMMENTS
1	20530	Screw	
2	38384	Strain Relief	
3	59308	Lead-In Cord	

# Terminal Block and Terminals



DRY1827P\_511996

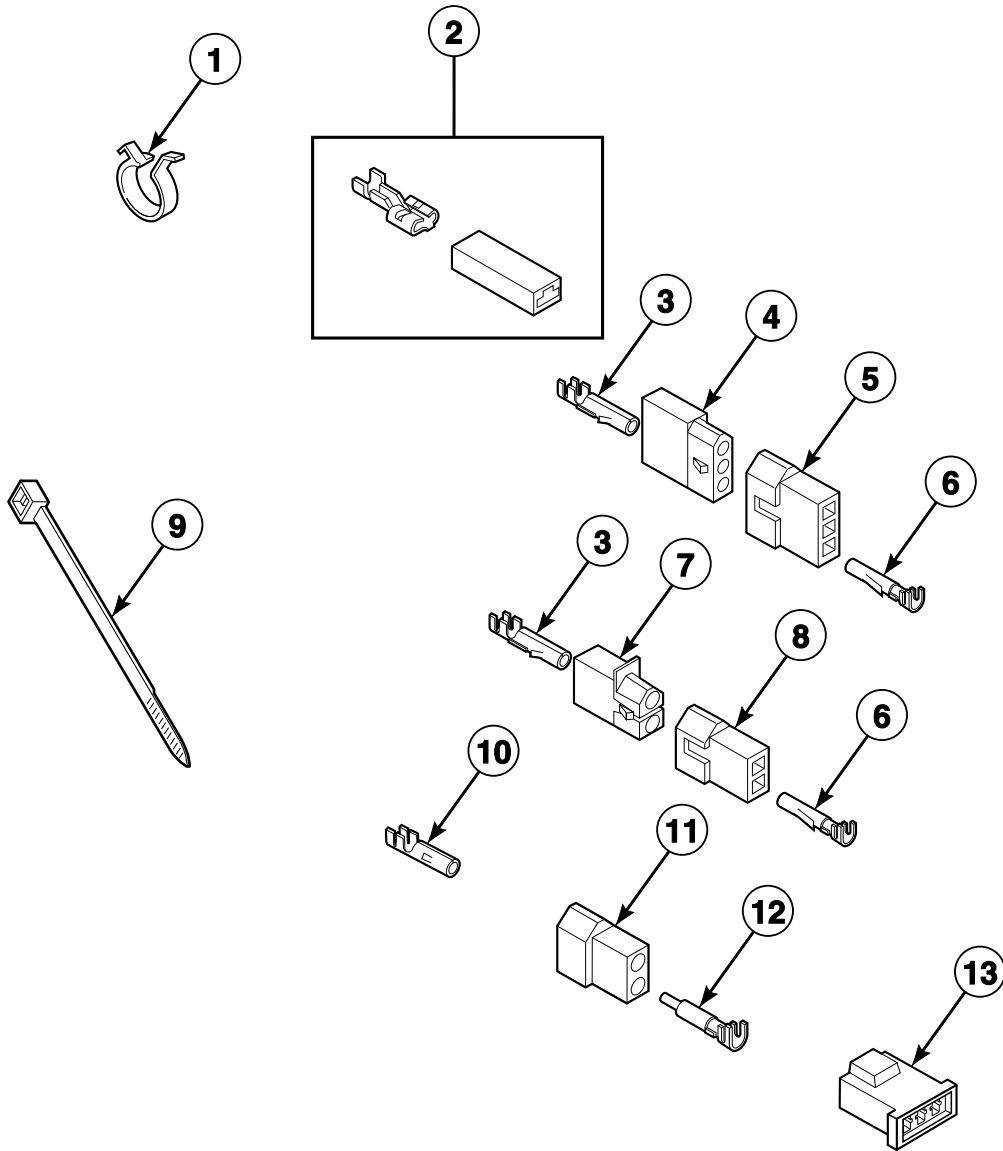


## Terminal Block and Terminals

REF	PART NO.	DESCRIPTION	COMMENTS
1	00161	Grounding Clip	
2	00189	Female Spade Terminal	1/8 inch
3	00361	Female Piggyback Terminal	
4	58799	2 Circuit Connector	
5	00223	Female Spade Terminal	1/4 inch; (1) 18 gauge wire
	00121	Female Spade Terminal	1/4 inch; (2) 18 gauge wires or (1) 12 gauge wire
	00245	Spade Terminal	1/4 inch; (1) 22 gauge wire
6	00124	Female Spade Terminal	3/16 inch; (1) 18 gauge wire; .020 tab
7	N/A	Female Spade Terminal	1/4 inch
8	00115	Female Spade Terminal	1/4 inch; (1) 18 gauge wire
	N/A	Female Spade Terminal	1/4 inch; (2) 18 gauge wires or (1) 12 gauge wire
9	90789	Receptacle Housing	
10	00359	Insulated Female Spade Terminal	1/4 inch
11	N/A	Pre-Insulated Spade Terminal	1/4 inch; (1) 12 gauge wire or (1) 18 gauge wire
12	00110	Ring Terminal	No. 10; (1) 18 gauge wire
13	00114	Female Spade Terminal	1/4 inch; Double connector
14	00139	Male Tab Terminal	1/4 inch; (2) 18 gauge wires or (1) 12 gauge wire
15	00344	Female Tab Terminal	1/4 inch
16	N/A	Flag Insulated Terminal	3/16 inch
17	23033	9 Circuit Plug	
18	26708	6 Circuit Receptacle	
19	00252	Terminal	
20	34596	10 Circuit Receptacle	
	501333	12 Circuit Receptacle	

**N/A = Part no longer available**

# Terminals

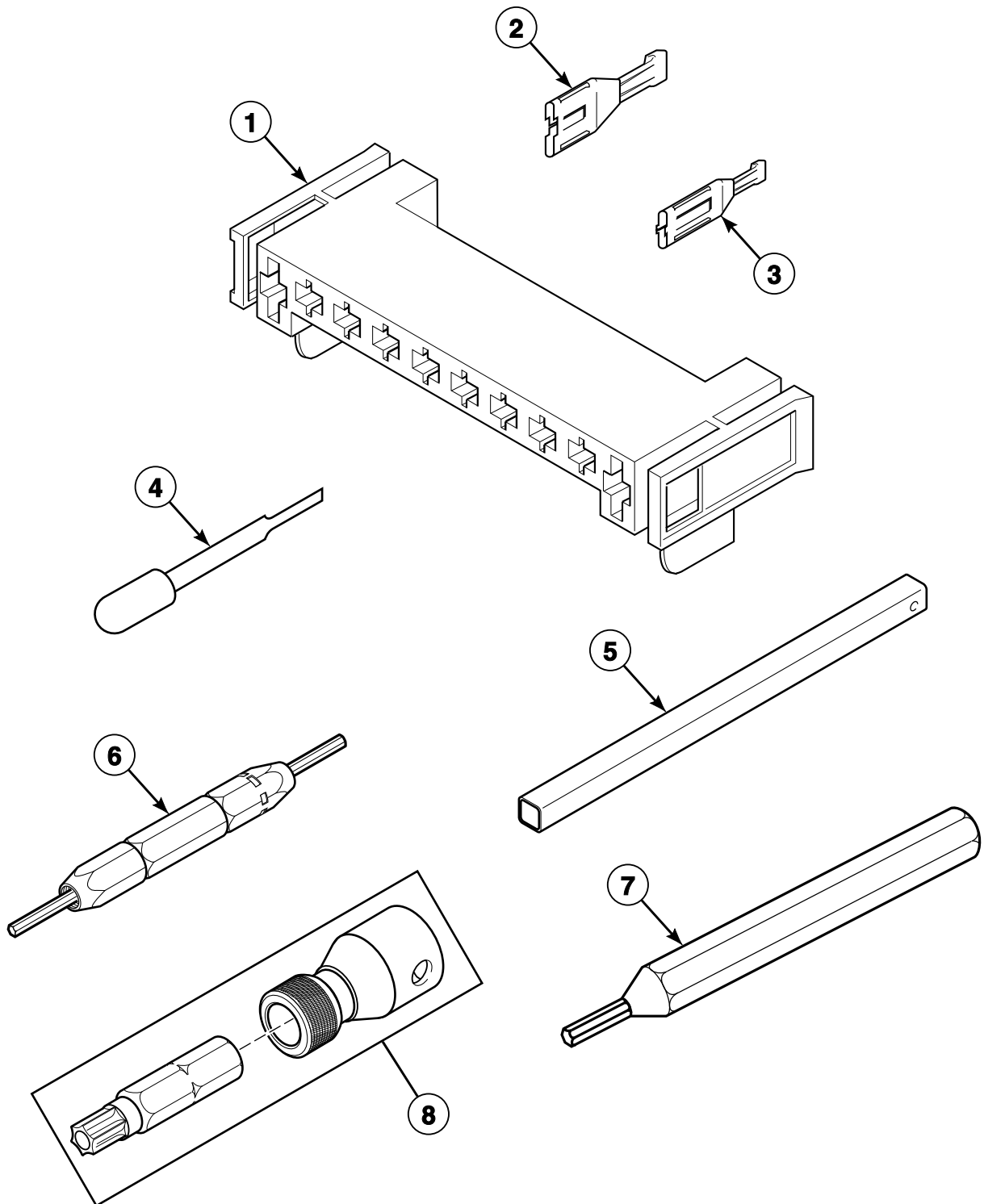


DRY1769P\_511996

# Terminals

REF	PART NO.	DESCRIPTION	COMMENTS
1	504034	Wire Clip	11/16 inch
	687500	Wire Clip	1 inch
2	00360	Insulated Female Spade Terminal	(1) 12 gauge wire or (2) 18 gauge wires
3	00117	Female Pin Terminal	
4	23039	3 Circuit Receptacle	
5	23040	Plug	
6	00116	Male Pin Terminal	
7	56451	2 Circuit Receptacle	
8	56448	2 Circuit Plug	
9	55881	Harness Strap	
10	00130	Female Pin Terminal	1/8 inch
11	56266	2 Circuit Plug	
12	00127	Male Pin Terminal	1/8 inch
13	58800	3 Circuit Connector	

# Terminals and Terminal Extractor Tools



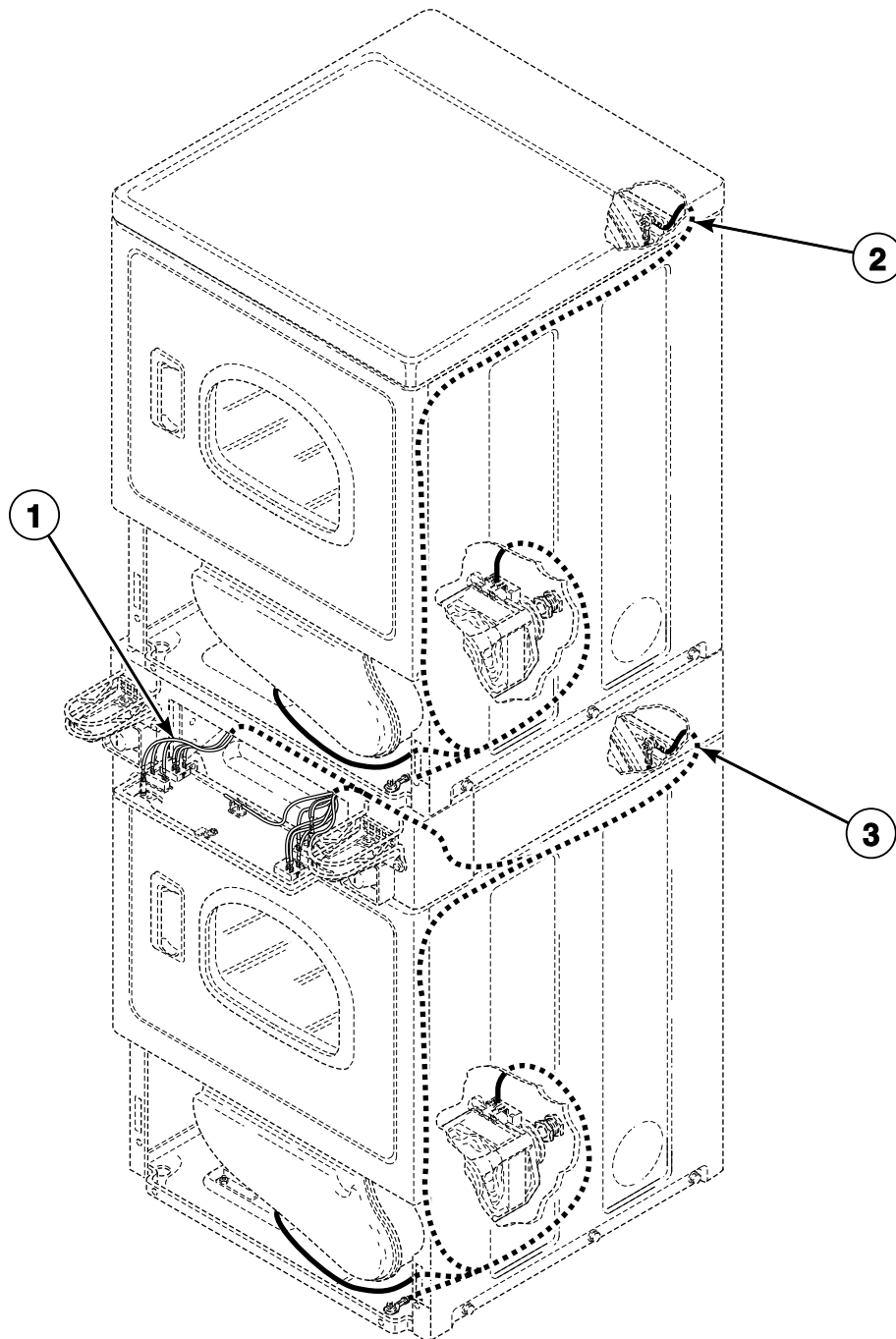
DRY2066P\_511996

## Terminals and Terminal Extractor Tools

REF	PART NO.	DESCRIPTION	COMMENTS
1	500338	10 Position Housing	
2	00255	Female Terminal	1/4 inch; (1) 12 gauge wire; Electric models
	00256	Female Terminal	1/4 inch; (1) or (2) 18 gauge wires
3	00188	Female Terminal	For 1 or 2 wire application
4	283P4	Terminal Extractor Tool	For use on Molex connectors
5	310P4	Ratchet Extension Tool	1/4 inch; For coin drop installation
6	190P4	Extractor Tool	For use on electric dryer terminals
7	128P4	Extractor Tool	For use on gas dryer terminals
8	281P4	Torx Bit	T15 Tamper Resistant Bit
	282P4	Torx Bit	Use with 62853 Screw on access panel; T25 Tamper Resistant Bit
	292P4	Torx Bit	T20 Standard Bit
	24161	Bit Holder	Use with 62853 Screw on access panel; 3/8 inch
	93501	Torx Drive Tool	T10 Standard Bit

# Wire Harnesses and Wires - Nonmetered and Coin Slide Models

Models BSE807\*F, BSG809\*F, BSG909\*F, HSE117\*F, HSG119\*F, HSG919\*F, JSG809\*F, JSG909\*F, SSE007\*F, SSE007\*F1500, SSE007\*F99H2, SSE107\*F, SSE107\*F1500, SSE107\*F1724, SSE107\*F99L6, SSE107\*F99L7, SSE117\*F, SSE117\*F1500, SSE307\*F, SSE307\*F1500, SSE907\*F1724, SSG009\*F, SSG109\*F, SSG109\*F1124, SSG109\*F99L6, SSG109\*F99L7, SSG119\*F, SSG309\*F, SSG809\*F, SSG909\*F, SSG909\*F1124, SSG919\*F, USE007\*F, USG009\*F and USG809\*F



DRY1912P\_511996

# Wire Harnesses and Wires - Nonmetered and Coin Slide Models

REF	PART NO.	DESCRIPTION	COMMENTS	
	45001	18 Gauge Wire	Black; Order wire by foot; Order terminals and connectors as required	
	45380	12 Gauge Wire	Orange; Order wire by foot; Order terminals and connectors as required	
1	510626	Security Cabinet Harness Assembly	Models HSE117*F, SSE107*F, SSE107*F1500, SSE107*F1724, SSE107*F99L6, SSE107*F99L7, SSE117*F and SSE117*F1500	
	510607	Security Cabinet Wire Harness Assembly	Models HSG119*F, SSG109*F, SSG109*F1124, SSG109*F99L6, SSG109*F99L7 and SSG119*F	
	510655P	Security Cabinet Wire Harness Assembly	Models BSG809*F, JSG809*F, SSG009*F, SSG809*F, USG009*F and USG809*F	
	510654P	Security Cabinet Wire Harness Assembly	Models BSE807*F, SSE007*F, SSE007*F1500, SSE007*F99H2 and USE007*F	
	510637P	Harness Replacement Kit	Model SSG309*F	
	510662P	Harness Replacement Kit	Models SSE307*F and SSE307*F1500	
	512142	Wire Harness Assembly	Control; Some models may have a 3/16 inch spade terminal on the coin slide switch; When replacing the harness on these models, the switch mount assembly must also be replaced; All other models	
	2	510417P	Wire Harness Assembly	Upper; Models HSG119*F, SSG109*F, SSG109*F1124, SSG109*F99L6, SSG109*F99L7, SSG119*F and SSG309*F
510413P		Wire Harness Assembly	Upper; Models BSG809*F, JSG809*F, SSG009*F, SSG809*F, USG009*F and USG809*F	
511792P		Electronic Harness	Upper; Model SSE907*F1724	
511793P		Electronic Harness	Upper; Models BSG909*F, HSG919*F, JSG909*F, SSG909*F, SSG909*F1124 and SSG919*F	
510412P		Wire Harness Assembly	Upper; All other models	
3		510415P	Wire Harness Assembly	Lower; Models SSG009*F and USG009*F
		510419P	Wire Harness Assembly	Lower; Models HSG119*F, SSG109*F, SSG109*F1124, SSG109*F99L6, SSG109*F99L7, SSG119*F and SSG309*F
	N/A	Wire Harness Assembly	Lower; Models SSE007*F, SSE007*F1500, SSE007*F99H2 and USE007*F	
	511794P	Electronic Harness	Lower; Model SSE907*F1724	
	511795P	Electronic Harness	Lower; Models BSG909*F, HSG919*F, JSG909*F, SSG909*F, SSG909*F1124 and SSG919*F	
	512653	Wire Harness Assembly	Models BSG809*F, JSG809*F, SSG809*F and USG809*F	
	512660	Wire Harness Assembly	Model BSE807*F	
	510414P	Wire Harness Assembly	Lower; All other models	

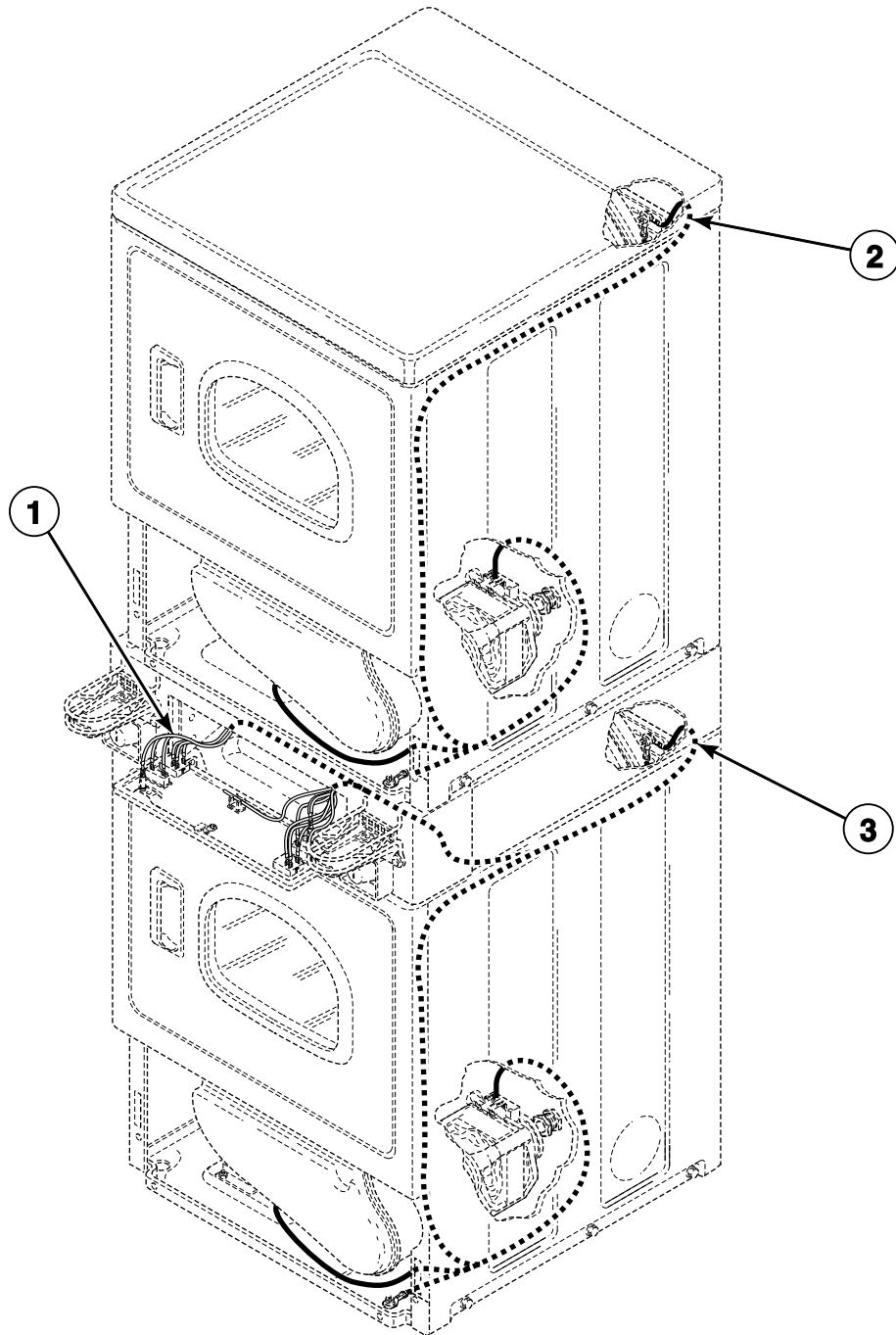
\* Add Letter To Designate Color. L - Almond Q - Bisque W - White

N/A = Part no longer available

**NOTE: Individual wires are not available separately. Order complete harness, or order wire by the foot. When applying terminals to wires, it is recommended that the terminals be soldered to the wires.**

# Wire Harnesses and Wires - Nonmetered and Coin Slide Models Through Serial No. 1303025314

Models BSE907\*F, HSE917\*F, JSE807\*F, JSE907\*F, SSE807\*F, SSE807\*F1500, SSE907\*F,  
SSE907\*F1500, SSE917\*F and USE807\*F



DRY1912P\_511996



## Wire Harnesses and Wires - Nonmetered and Coin Slide Models Through Serial No. 1303025314

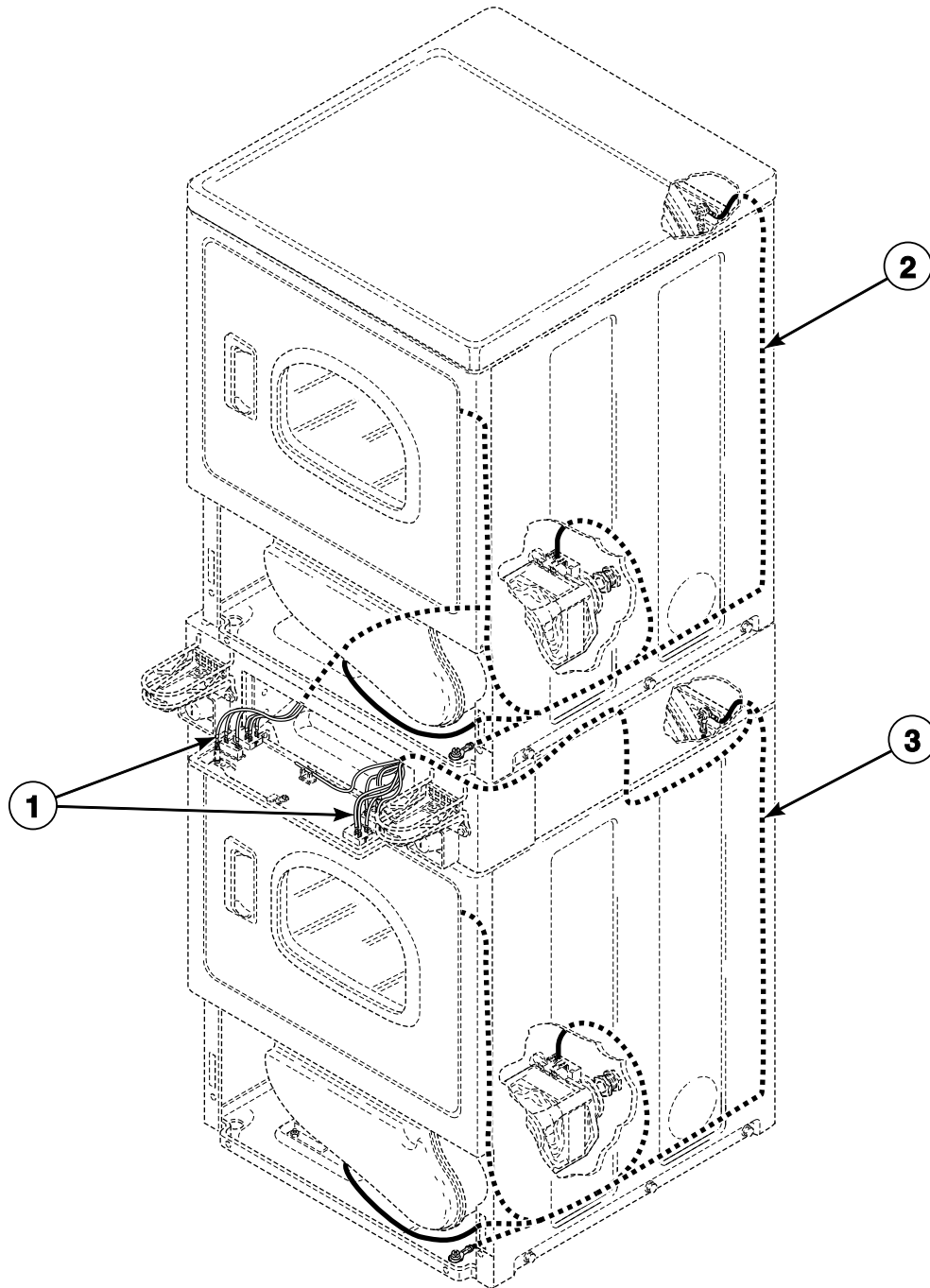
REF	PART NO.	DESCRIPTION	COMMENTS
	45001	18 Gauge Wire	Black; Order wire by foot; Order terminals and connectors as required
	45380	12 Gauge Wire	Orange; Order wire by foot; Order terminals and connectors as required
1	510654P	Security Cabinet Wire Harness Assembly	Models JSE807*F, SSE807*F, SSE807*F1500 and USE807*F
	512142	Wire Harness Assembly	Control; Some models may have a 3/16 inch spade terminal on the coin slide switch; When replacing the harness on these models, the switch mount assembly must also be replaced; All other models
2	511792P	Electronic Harness	Upper; Models BSE907*F, HSE917*F, JSE907*F, SSE907*F, SSE907*F1500 and SSE917*F
	510412P	Wire Harness Assembly	Upper; All other models
3	511794P	Electronic Harness	Lower; Models BSE907*F, HSE917*F, JSE907*F, SSE907*F, SSE907*F1500 and SSE917*F
	512660	Wire Harness Assembly	Models JSE807*F, SSE807*F, SSE807*F1500 and USE807*F

\* Add Letter To Designate Color. L - Almond Q - Bisque W - White

**NOTE:** Individual wires are not available separately. Order complete harness, or order wire by the foot. When applying terminals to wires, it is recommended that the terminals be soldered to the wires.

# Wire Harnesses and Wires - Nonmetered and Coin Slide Models Starting Serial No. 1303025315

Models BSE907\*F, HSE917\*F, JSE807\*F, JSE907\*F, SSE807\*F, SSE807\*F1500, SSE907\*F,  
SSE907\*F1500, SSE917\*F and USE807\*F



DRY2287P\_511996

## Wire Harnesses and Wires - Nonmetered and Coin Slide Models Starting Serial No. 1303025315

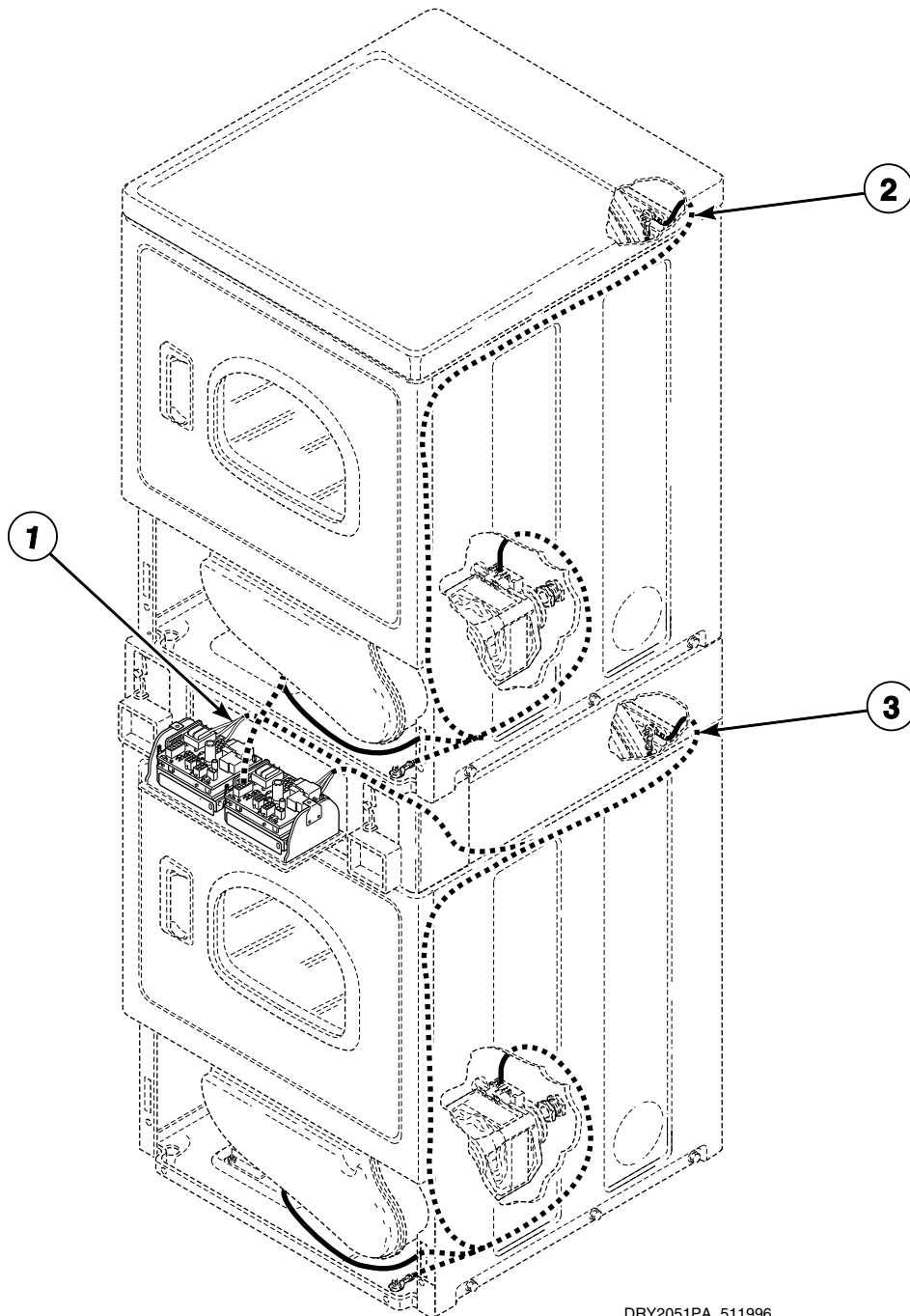
REF	PART NO.	DESCRIPTION	COMMENTS
	45001	18 Gauge Wire	Black; Order wire by foot; Order terminals and connectors as required
	45380	12 Gauge Wire	Orange; Order wire by foot; Order terminals and connectors as required
1	510654P	Security Cabinet Wire Harness Assembly	Models JSE807*F, SSE807*F, SSE807*F1500 and USE807*F
	512142	Wire Harness Assembly	Control; Some models may have a 3/16 inch spade terminal on the coin slide switch; When replacing the harness on these models, the switch mount assembly must also be replaced; All other models
2	514094	Electronic Harness	Upper; Models BSE907*F, HSE917*F, JSE907*F, SSE907*F, SSE907*F1500 and SSE917*F
	514084	Harness Assembly	Upper; All other models
3	514096	Electronic Harness	Lower; Models BSE907*F, HSE917*F, JSE907*F, SSE907*F, SSE907*F1500 and SSE917*F
	514086	Harness Assembly	Models JSE807*F, SSE807*F, SSE807*F1500 and USE807*F

\* Add Letter To Designate Color. L - Almond Q - Bisque W - White

**NOTE:** Individual wires are not available separately. Order complete harness, or order wire by the foot. When applying terminals to wires, it is recommended that the terminals be soldered to the wires.

## Wire Harnesses - Coin Drop and Card Reader Models

Models HSEB17\*J1500, HSEB17\*J99L1, HSEB17\*J99L2, HSEZ17\*F, HSEZ17\*F1500, HSGB19\*J99L1, HSGZ19\*F, SSE417\*F, SSE507\*F, SSE507\*F1500, SSE517\*F, SSE517\*F1500, SSE607\*F, SSE617\*F, SSE707\*F, SSE717\*F, SSEA17\*J, SSEB07\*J, SSEB07\*J1500, SSEB17\*J, SSEB17\*J1500, SSEC07\*J, SSEF07\*J, SSEF17\*J, SSEH07\*J, SSEH07\*J1500, SSEZ07\*F, SSEZ07\*F1500, SSEZ17\*F, SSEZ17\*F1500, SSG419\*F, SSG509\*F, SSG519\*F, SSG609\*F, SSG619\*F, SSG709\*F, SSG719\*F, SSGA19\*J, SSGB09\*J, SSGB19\*J, SSGC09\*J, SSGF09\*J, SSGF19\*J, SSGH09\*J, SSGZ09\*F and SSGZ19\*F



DRY2051PA\_511996

## Wire Harnesses - Coin Drop and Card Reader Models

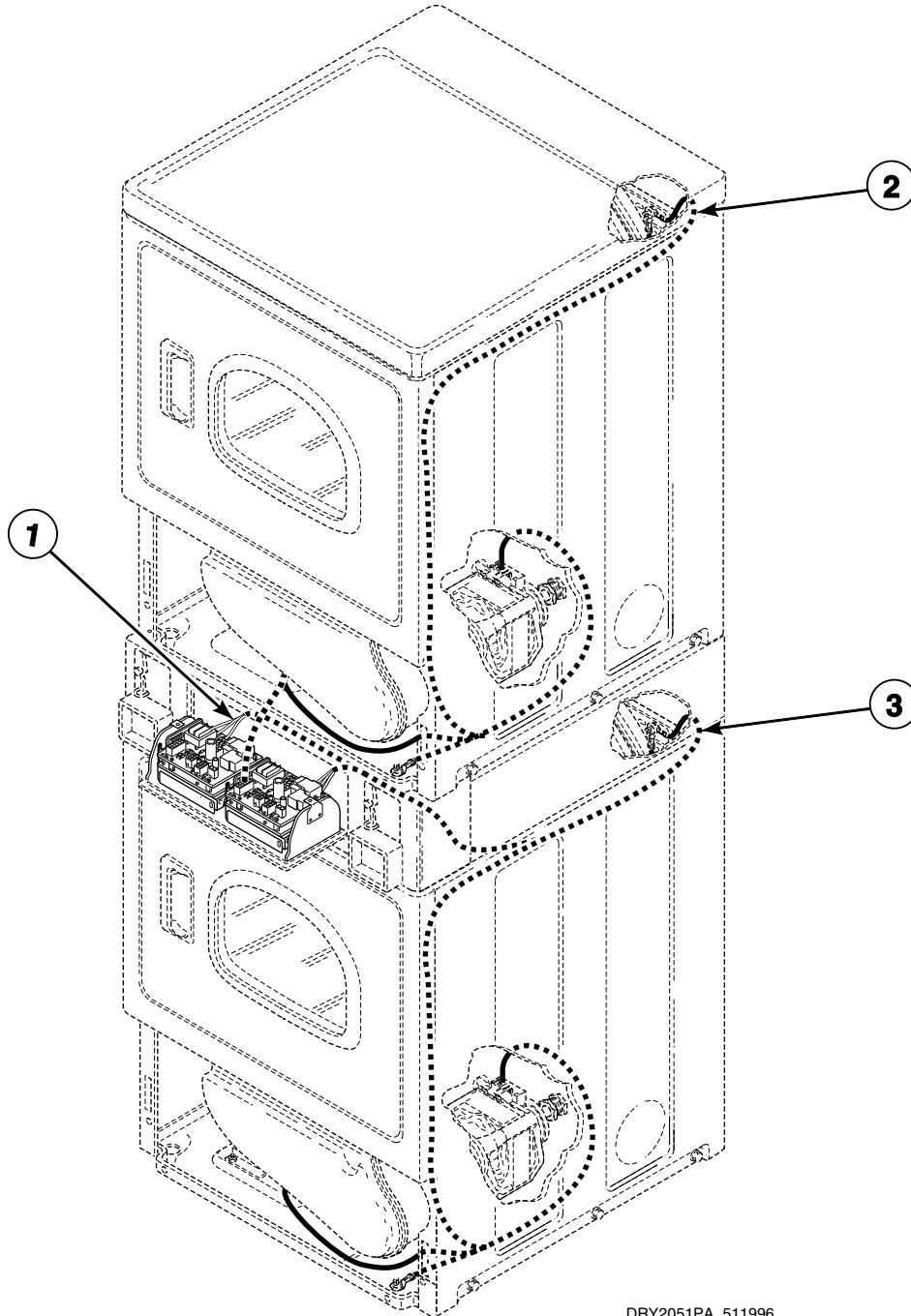
REF	PART NO.	DESCRIPTION	COMMENTS
	45001	18 Gauge Wire	Black; Order wire by foot; Order terminals and connectors as required
	45380	12 Gauge Wire	Orange; Order wire by foot; Order terminals and connectors as required
<b>1</b>	501378P	Security Cabinet Harness Assembly	Models SSE417*F, SSE507*F, SSE507*F1500, SSE517*F, SSE517*F1500, SSE607*F, SSE617*F, SSE707*F and SSE717*F
	501374P	Security Cabinet Harness Assembly	Models SSG419*F, SSG509*F, SSG519*F, SSG609*F, SSG619*F, SSG709*F and SSG719*F
	510497P	Security Cabinet Wire Harness Assembly	Models HSGB19*J99L1, HSGZ19*F, SSGA19*J, SSGB09*J, SSGB19*J, SSGC09*J, SSGF09*J, SSGF19*J, SSGH09*J, SSGZ09*F and SSGZ19*F
	510496P	Wire Harness	Security cabinet; Models HSEB17*J1500, HSEB17*J99L1, HSEB17*J99L2, HSEZ17*F, HSEZ17*F1500, SSEA17*J, SSEB07*J, SSEB07*J1500, SSEB17*J, SSEB17*J1500, SSEC07*J, SSEF07*J, SSEF17*J, SSEH07*J, SSEH07*J1500, SSEZ07*F, SSEZ07*F1500, SSEZ17*F and SSEZ17*F1500
<b>2</b>	510408P	Upper Wire Harness Assembly	Models HSEB17*J1500, HSEB17*J99L1, HSEB17*J99L2, HSEZ17*F, HSEZ17*F1500, SSE417*F, SSE507*F, SSE507*F1500, SSE517*F, SSE517*F1500, SSE607*F, SSE617*F, SSE707*F, SSE717*F, SSEA17*J, SSEB07*J, SSEB07*J1500, SSEB17*J, SSEB17*J1500, SSEC07*J, SSEF07*J, SSEF17*J, SSEH07*J, SSEH07*J1500, SSEZ07*F, SSEZ07*F1500, SSEZ17*F and SSEZ17*F1500
	510409P	Wire Harness Assembly	Upper; Models HSGB19*J99L1, HSGZ19*F, SSG419*F, SSG509*F, SSG519*F, SSG609*F, SSG619*F, SSG709*F, SSG719*F, SSGA19*J, SSGB09*J, SSGB19*J, SSGC09*J, SSGF09*J, SSGF19*J, SSGH09*J, SSGZ09*F and SSGZ19*F
<b>3</b>	510411P	Wire Harness Assembly	Lower; Models SSG419*F, SSG509*F, SSG519*F, SSG609*F, SSG619*F, SSG709*F and SSG719*F
	510487P	Wire Harness Assembly	Lower; Models HSGB19*J99L1, HSGZ19*F, SSGA19*J, SSGB09*J, SSGB19*J, SSGC09*J, SSGF09*J, SSGF19*J, SSGH09*J, SSGZ09*F and SSGZ19*F
	510410P	Wire Harness Assembly	Lower; Models SSE417*F, SSE507*F, SSE507*F1500, SSE517*F, SSE517*F1500, SSE607*F, SSE617*F, SSE707*F and SSE717*F
	510488P	Wire Harness Assembly	Lower; Models HSEB17*J1500, HSEB17*J99L1, HSEB17*J99L2, HSEZ17*F, HSEZ17*F1500, SSEA17*J, SSEB07*J, SSEB07*J1500, SSEB17*J, SSEB17*J1500, SSEC07*J, SSEF07*J, SSEF17*J, SSEH07*J, SSEH07*J1500, SSEZ07*F, SSEZ07*F1500, SSEZ17*F and SSEZ17*F1500

\* Add Letter To Designate Color. L - Almond Q - Bisque W - White

**NOTE:** Individual wires are not available separately. Order complete harness, or order wire by the foot. When applying terminals to wires, it is recommended that the terminals be soldered to the wires.

# Wires and Wire Harnesses - Coin Drop and Card Reader Models Through Serial No. 0904

Models BSEBCFGS171TW01, BSEBYFGS171TW01, BSGBCFGS111TW01, BSGBYFGS111TW01, HSET17\*F, HSET17\*F1500, HSEY17\*F, HSEY17\*F1500, HSGT19\*F, HSGY19\*F, SSET07\*F, SSET07\*F1500, SSET17\*F, SSET17\*F1500, SSEX07\*F, SSEX07\*F1500, SSEY07\*F, SSEY07\*F1500, SSEY17\*F, SSGT09\*F, SSGT19\*F, SSGX09\*F, SSGX19\*F, SSGY09\*F and SSGY19\*F



DRY2051PA\_511996

## Wires and Wire Harnesses - Coin Drop and Card Reader Models Through Serial No. 0904

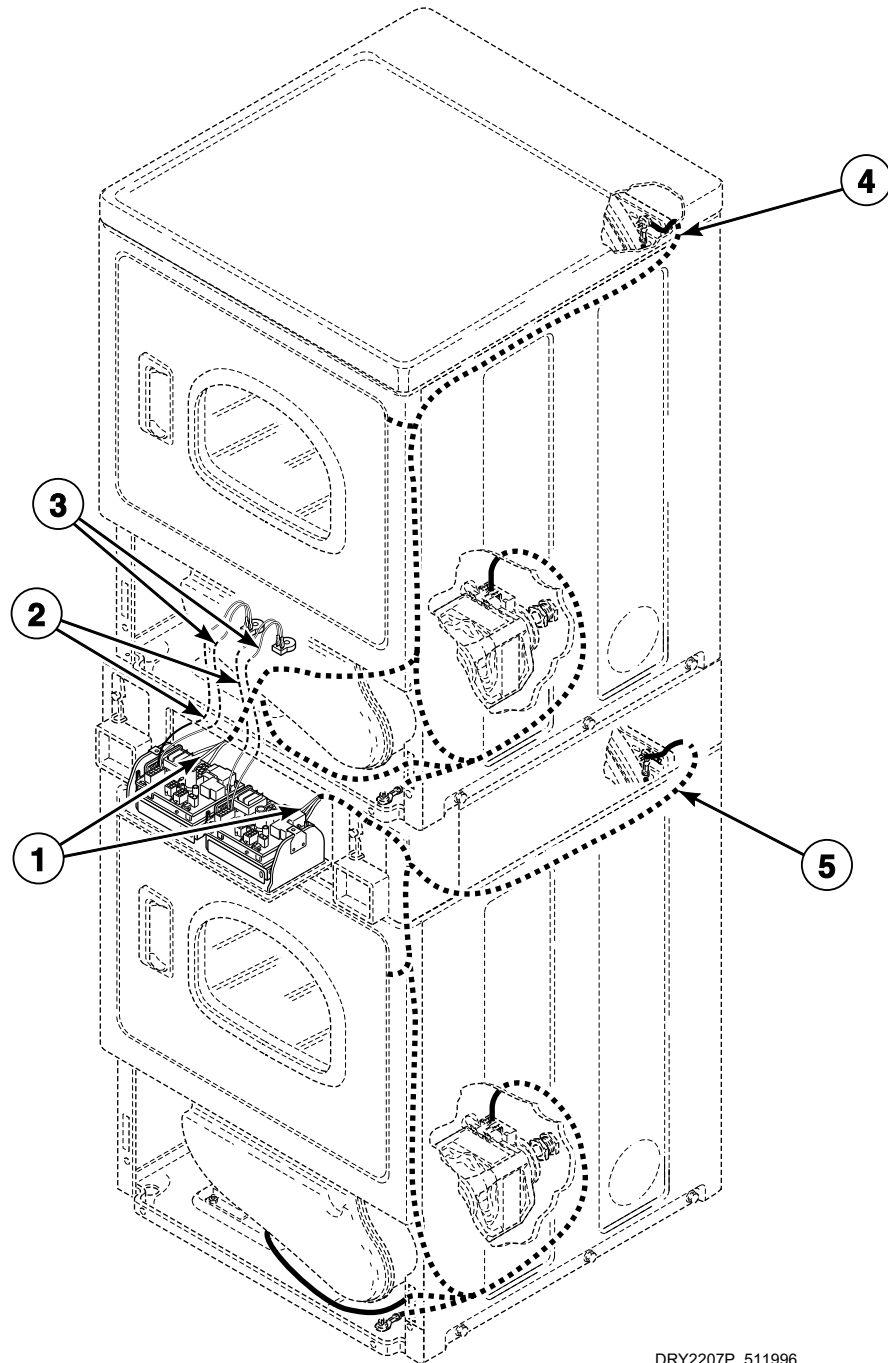
REF	PART NO.	DESCRIPTION	COMMENTS
	45001	18 Gauge Wire	Black; Order wire by the foot; Order terminals and connectors as required
	45380	12 Gauge Wire	Orange; Order wire by the foot; Order terminals and connectors as required
1	510497P	Security Cabinet Wire Harness Assembly	Models BSGBCFGS111TW01, BSGBYFGS111TW01, HSGT19*F, HSGY19*F, SSGT09*F, SSGT19*F, SSGX09*F, SSGX19*F, SSGY09*F and SSGY19*F
	510496P	Wire Harness	Security cabinet; Models BSEBCFGS171TW01, BSEBYFGS171TW01, HSET17*F, HSET17*F1500, HSEY17*F, HSEY17*F1500, SSET07*F, SSET07*F1500, SSET17*F, SSET17*F1500, SSEX07*F, SSEX07*F1500, SSEY07*F, SSEY07*F1500 and SSEY17*F
2	510408P	Upper Wire Harness Assembly	Models BSEBCFGS171TW01, BSEBYFGS171TW01, HSET17*F, HSET17*F1500, HSEY17*F, HSEY17*F1500, SSET07*F, SSET07*F1500, SSET17*F, SSET17*F1500, SSEX07*F, SSEX07*F1500, SSEY07*F, SSEY07*F1500 and SSEY17*F
	510409P	Wire Harness Assembly	Upper; Models BSGBCFGS111TW01, BSGBYFGS111TW01, HSGT19*F, HSGY19*F, SSGT09*F, SSGT19*F, SSGX09*F, SSGX19*F, SSGY09*F and SSGY19*F
3	510487P	Wire Harness Assembly	Lower; Models BSGBCFGS111TW01, BSGBYFGS111TW01, HSGT19*F, HSGY19*F, SSGT09*F, SSGT19*F, SSGX09*F, SSGX19*F, SSGY09*F and SSGY19*F
	510488P	Wire Harness Assembly	Lower; Models BSEBCFGS171TW01, BSEBYFGS171TW01, HSET17*F, HSET17*F1500, HSEY17*F, HSEY17*F1500, SSET07*F, SSET07*F1500, SSET17*F, SSET17*F1500, SSEX07*F, SSEX07*F1500, SSEY07*F, SSEY07*F1500 and SSEY17*F

\* Add Letter To Designate Color. L - Almond Q - Bisque W - White

**NOTE:** Individual wires are not available separately. Order complete harness, or order wire by the foot. When applying terminals to wires, it is recommended that the terminals be soldered to the wires.

# Wire Harnesses and Wires - Coin Drop and Card Reader Models Starting Serial No. 0904

Models BSGBCFGS111TW01, BSGBYFGS111TW01, HSET17\*F1500, HSEY17\*F1500, HSGT19\*F, HSGY19\*F, SSEX07\*F1500, SSGT09\*F, SSGT19\*F, SSGX09\*F, SSGX19\*F, SSGY09\*F and SSGY19\*F



DRY2207P\_511996



## Wire Harnesses and Wires - Coin Drop and Card Reader Models Starting Serial No. 0904

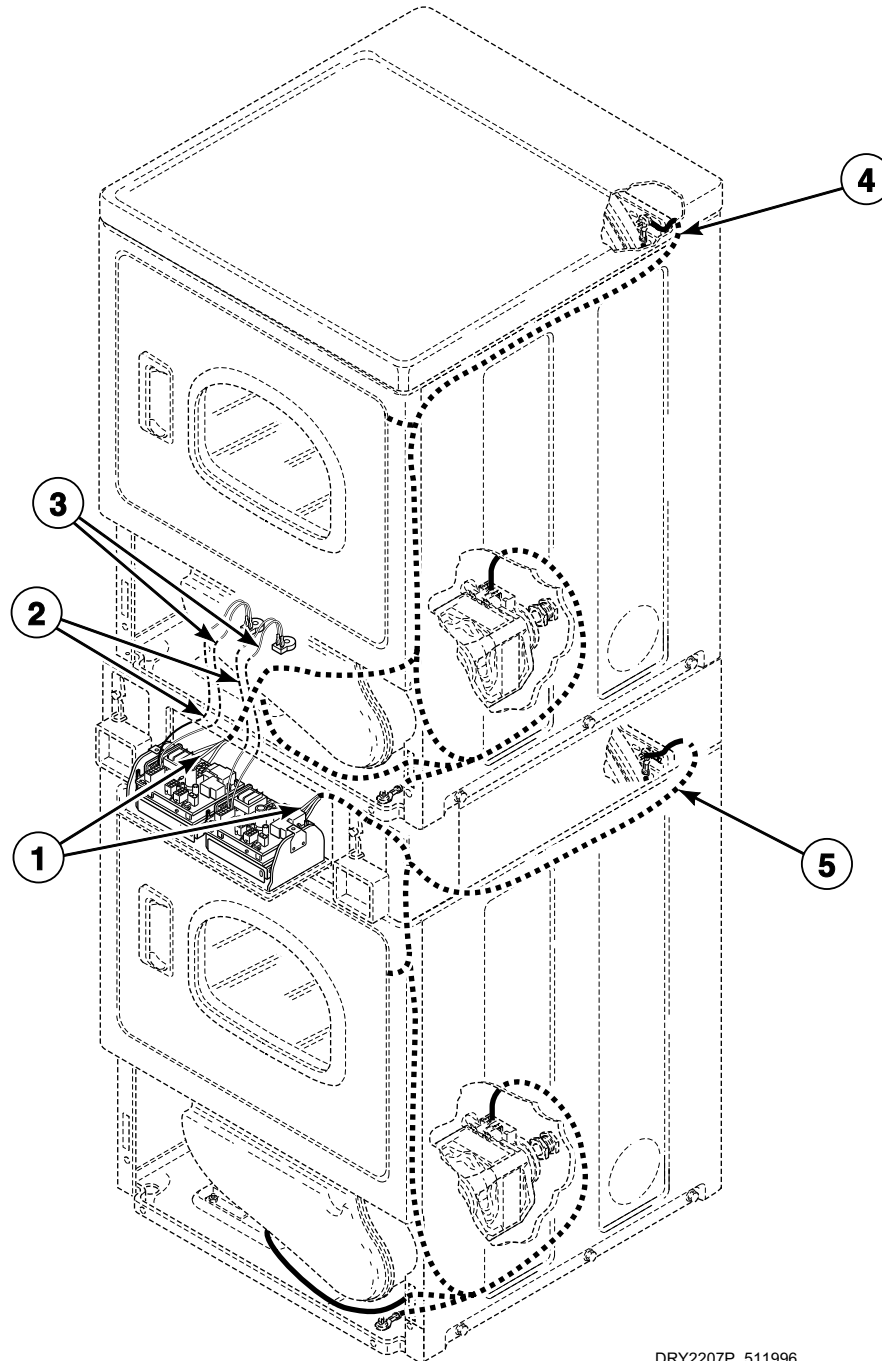
REF	PART NO.	DESCRIPTION	COMMENTS
	45001	18 Gauge Wire	Black; Order wire by foot; Order terminals and connectors as required
	45380	12 Gauge Wire	Orange; Order wire by foot; Order terminals and connectors as required
<b>1</b>	512422P	Wire Harness Assembly	
<b>2</b>	512273P	Wire Configuration Assembly	All models except BSGBCFGS111TW01 and BSGBYFGS111TW01
<b>3</b>	512275P	Wire Configuration Assembly	
<b>4</b>	511792P	Electronic Harness	Upper; Models HSET17*F1500, HSEY17*F1500 and SSEX07*F1500
	511793P	Electronic Harness	Upper; All other models
<b>5</b>	511794P	Electronic Harness	Lower; Models HSET17*F1500, HSEY17*F1500 and SSEX07*F1500
	511795P	Electronic Harness	Lower; All other models

\* Add Letter To Designate Color. L - Almond Q - Bisque W - White

**NOTE: Individual wires are not available separately. Order complete harness, or order wire by the foot. When applying terminals to wires, it is recommended that the terminals be soldered to the wires.**

# Wire Harnesses and Wires - Coin Drop and Card Reader Models Starting Serial No. 0904 and Continuing Through Serial No. 1303025314

Models BSEBCFGS171TW01, BSEBYFGS171TW01, HSET17\*F, HSEY17\*F, SSET07\*F, SSET07\*F1500,  
SSET17\*F, SSET17\*F1500, SSEX07\*F, SSEY07\*F, SSEY07\*F1500 and SSEY17\*F



DRY2207P\_511996

# Wire Harnesses and Wires - Coin Drop and Card Reader Models Starting Serial No. 0904 and Continuing Through Serial No. 1303025314

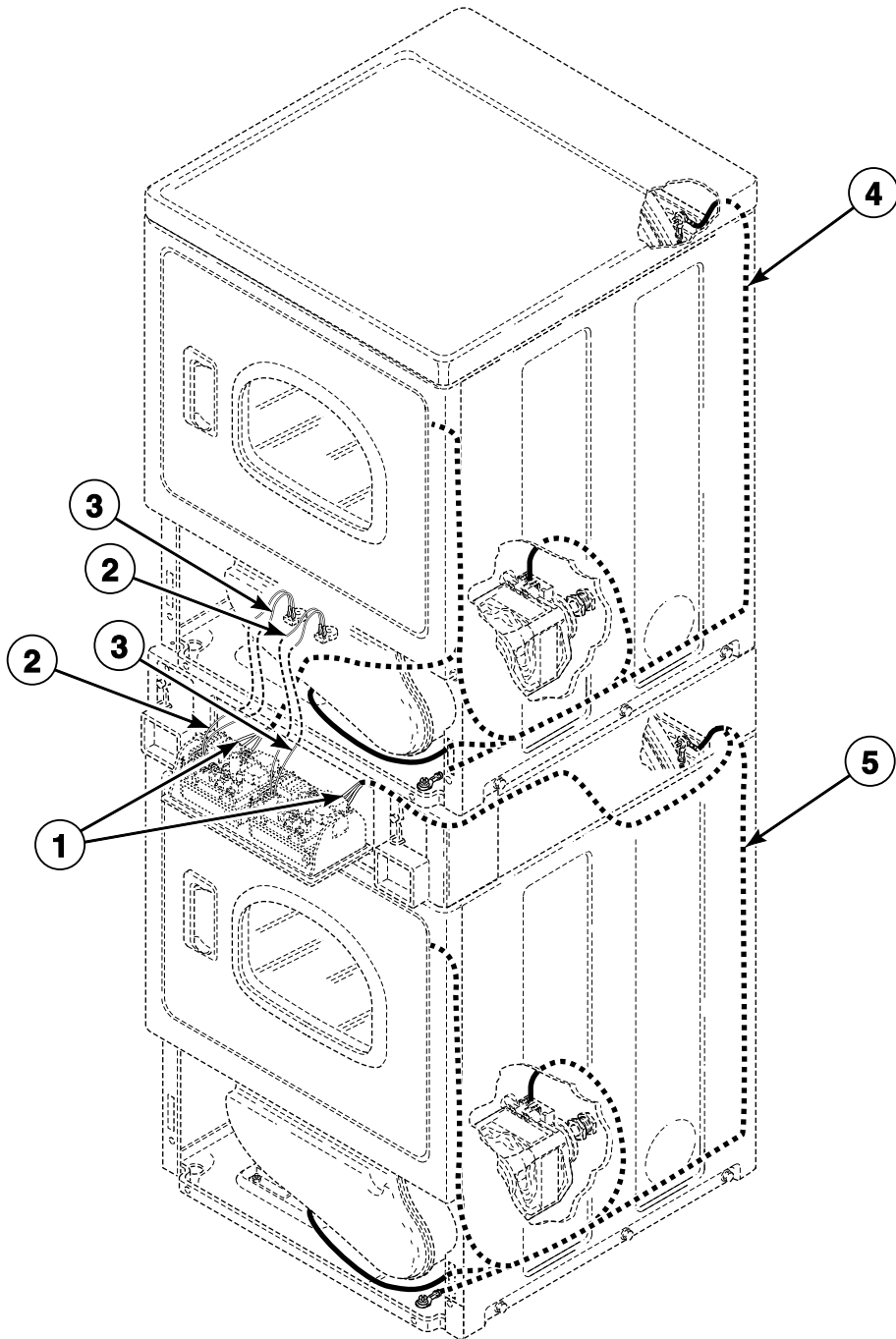
REF	PART NO.	DESCRIPTION	COMMENTS
	45001	18 Gauge Wire	Black; Order wire by foot; Order terminals and connectors as required
	45380	12 Gauge Wire	Orange; Order wire by foot; Order terminals and connectors as required
<b>1</b>	512422P	Wire Harness Assembly	
<b>2</b>	512273P	Wire Configuration Assembly	All models except BSEBCFGS171TW01 and BSEBYFGS171TW01
<b>3</b>	512275P	Wire Configuration Assembly	
<b>4</b>	511792P	Electronic Harness	Upper
<b>5</b>	511794P	Electronic Harness	Lower

\* Add Letter To Designate Color. L - Almond Q - Bisque W - White

**NOTE: Individual wires are not available separately. Order complete harness, or order wire by the foot. When applying terminals to wires, it is recommended that the terminals be soldered to the wires.**

# Wire Harnesses and Wires - Coin Drop and Card Reader Models Starting Serial No. 1303025315

Models BSEBCFGS171TW01, BSEBYFGS171TW01, HSET17\*F, HSEY17\*F, SSET07\*F, SSET07\*F1500, SSET17\*F, SSET17\*F1500, SSEX07\*F, SSEY07\*F, SSEY07\*F1500 and SSEY17\*F



DRY2288P\_511996

# Wire Harnesses and Wires - Coin Drop and Card Reader Models Starting Serial No. 1303025315

REF	PART NO.	DESCRIPTION	COMMENTS
	45001	18 Gauge Wire	Black; Order wire by foot; Order terminals and connectors as required
	45380	12 Gauge Wire	Orange; Order wire by foot; Order terminals and connectors as required
<b>1</b>	512422P	Wire Harness Assembly	
<b>2</b>	512273P	Wire Configuration Assembly	All models except BSEBCFGS171TW01 and BSEBYFGS171TW01
<b>3</b>	512275P	Wire Configuration Assembly	
<b>4</b>	514094	Electronic Harness	Upper
<b>5</b>	514096	Electronic Harness	Lower

\* Add Letter To Designate Color. L - Almond Q - Bisque W - White

**NOTE:** Individual wires are not available separately. Order complete harness, or order wire by the foot. When applying terminals to wires, it is recommended that the terminals be soldered to the wires.



# Parts Index

## A

Access Panel	
510069LP .....	35
Access Panel and Guard Assembly	
514252Q .....	35
514252W .....	35
Access Panel Assembly	
514250Q .....	35
514250W .....	35
Access Panel Plate	
510903 .....	51
Accumulator Replacement Kit	
510628P .....	27
510630P .....	27
Adhesive	
511637P .....	39, 43
Air Duct Assembly	
510151LG .....	41
510151W .....	41
Anti-Seize Compound	
27604P .....	37
Audit Switch Bracket	
800379 .....	13, 15
800380 .....	13, 15

## B

Bit Holder	
24161 .....	59
Blower and Fan Kit	
510717P .....	37
Blower Fan Assembly	
510139P .....	37
Blower Housing	
511969WP .....	37
Blower Housing Seal	
510238P .....	37
Bolt	
29651 .....	7, 9, 29
512505 .....	23
Booster and Holding Coil	
58804A .....	49
Bracket	
803662 .....	11
Bumper Pad	
56128 .....	51
Burner Assembly	
510149P .....	49

## C

Cabinet Rear Panel	
510005P .....	51
Cabinet Side Panel	
510001LP .....	51
510001QP .....	51
510001WP .....	51

510002LP .....	51
510002QP .....	51
510002WP .....	51
Card Insert Overlay	
511544 .....	25
511548 .....	25
Card Reader	
512473 .....	23
Card Reader and Bracket Assembly	
510068P .....	25
Card Reader Bracket	
510045 .....	25
Card Reader Instruction Overlay	
38192 .....	23
Card Reader Kit	
875P3 .....	23
Card Reader Overlay	
800230 .....	25
Card Reader Wire Harness Assembly	
800125P .....	25
Clip	
201572 .....	21
Coin Drop	
38963P .....	19
70441601P .....	19
Coin Drop Assembly	
38462P .....	19
38463 .....	19
38464P .....	19
38475 .....	19
Coin Drop Kit	
CK077 .....	19
Coin Drop Wire Harness	
201104 .....	21
Coin Funnel Kit	
523P3 .....	7, 9
Coin Identification Paper	
38725 .....	21
Coin Meter Drive	
M400754 .....	27
Coin Slide Extension	
503455 .....	7
Coin Slide Extension Kit	
514228 .....	11
Coin Slide Guard	
58181 .....	7, 9
Combustion Duct	
510131 .....	47
510132 .....	47
Communication Board	
210097 .....	13
Communication Connector	
210099 .....	13
Connector, 2 Circuit	
58799 .....	55
Connector, 3 Circuit	
58800 .....	57
Control Assembly	
511867P .....	13, 15
513139P .....	9

N/A items do not appear in index.

Control Kit	
M414050P .....	13, 15
505905P .....	13, 15
Control Panel and Bracket Assembly	
500228L .....	5, 7, 9
500228Q .....	5, 7, 9
500228W .....	5, 7, 9
510076Q .....	13, 15
510076W .....	13, 15
Counter Kit	
62113P .....	7
Cylinder Assembly	
510159WP .....	39
510265LGP .....	39
510265WP .....	39
Cylinder Baffle	
510102LG .....	39
510102W .....	39
Cylinder Belt	
511255P .....	37
Cylinder Glide	
510188 .....	39
Cylinder Glide Bracket	
510145 .....	39
Cylinder Roller	
510708P .....	43
Cylinder Roller Bracket	
510100 .....	43
Cylinder Seal Assembly	
510207P .....	39, 43

## D

Damper	
58786 .....	51
Directional Exhaust Kit	
528P3 .....	51
Door and Liner Assembly	
511636LP .....	33
511636QP .....	33
511636WP .....	33
Door Catch Assembly	
514113 .....	35
Door Handle Wedge	
510129 .....	31, 33
Door Liner Grill	
503870LG .....	33
503870W .....	33
Door Pull and Wedge Kit	
510103LP .....	31, 33
510103QP .....	31, 33
510103WP .....	31, 33
Door Strike	
510181 .....	31, 33
Door Strike Mount	
510127 .....	31, 33
Door Switch Bracket	
38087 .....	17
Dryer Base	
513901 .....	51
Dryer Door	
510013LP .....	31
510013QP .....	31

510013WP .....	31
510082LP .....	33
510082QP .....	33
510082WP .....	33
Dryer Door Assembly	
514114Q .....	33
514114W .....	33
Dryer Door Window	
503982P .....	33

## E

Elbow Shut-Off Valve	
510205 .....	49
Electric Clearance Label	
511005 .....	51
Electronic Coin Drop Kit	
CK115 .....	21
Electronic Harness	
511792P .....	61, 63, 71, 73
511793P .....	61, 71
511794P .....	61, 63, 71, 73
511795P .....	61, 71
514094 .....	65, 75
514096 .....	65, 75
Exhaust Duct	
510137 .....	51
Extractor Tool	
128P4 .....	59
190P4 .....	59

## F

Fabric Selector Switch	
61512 .....	5, 7
Felt Pad	
510189 .....	39
Female Piggyback Terminal	
00361 .....	55
Female Pin Terminal	
00117 .....	57
00130 .....	57
Female Spade Terminal	
00114 .....	55
00115 .....	55
00121 .....	55
00124 .....	55
00189 .....	55
00223 .....	55
Female Tab Terminal	
00344 .....	55
Female Terminal	
00188 .....	59
00255 .....	59
00256 .....	59
Flexible Venting Kit	
521P3 .....	51
Front Bulkhead Assembly	
510266P .....	39
511033WP .....	39

N/A items do not appear in index.



Front Panel	
510066LP .....	35
510066QP .....	35
510066WP .....	35
Front Panel Assembly	
513781W .....	35
Front Panel Seal	
511056 .....	35

## G

Gas Clearance Label	
511004 .....	51
Gas Valve Assembly	
60353P .....	49
Gas Valve Mounting Bracket	
510128 .....	49
Glass Door Window	
513910 .....	33
Glide Kit	
RB170003 .....	39
Graphic Overlay	
504117 .....	13, 15
504590 .....	5, 7
510064 .....	15
510074 .....	13, 15
Grounding Clip	
00161 .....	55

## H

Harness	
512501 .....	23
Harness Assembly	
514084 .....	65
514086 .....	65
802905 .....	19, 21
Harness Replacement Kit	
510534P .....	7
510637P .....	61
510662P .....	7, 61
Harness Strap	
55881 .....	57
Heat Duct Shroud	
510101 .....	47
Heater	
510325P .....	45
Heater Assembly	
510329P .....	45
Heater Duct and Screw Assembly	
510025P .....	45, 47
Heater Kit	
964P3 .....	45
Heater Kit Assembly	
61928 .....	45
Hinge	
511036 .....	29, 31, 33
Hinge Hole Plug	
510186 .....	35
Hold Down Kit	
526P3 .....	51

Housing, 10 Position	
500338 .....	59

## I

Idler Lever	
510133 .....	37
Idler Lever and Wheel Assembly	
510158 .....	37
Idler Spring	
510185 .....	37
Idler Wheel and Bearing Assembly	
510142P .....	37
Igniter and Bracket Assembly	
510184P .....	49
Instructions for Use Label	
500498 .....	35
Insulated Female Spade Terminal	
00359 .....	55
00360 .....	57

## K

Key	
54612 .....	5, 7, 9, 13, 15

## L

Lead-In Cord	
59308 .....	53
Lead-In Pipe Assembly	
510204 .....	49
Leveling Leg	
510135 .....	51
Light	
32464 .....	5, 7
801431 .....	9
Limit Thermostat	
510701 .....	45
510702 .....	47
Liner and Seal Assembly	
510098LG .....	33
510098W .....	33
Liner Door Seal	
510147P .....	31, 33
Liner, Seal and Grill Assembly	
510163WP .....	31
513109P .....	31
Lint Filter	
503980LG .....	41
503980W .....	41
Lock Cam	
27261 .....	5, 7, 9, 13, 15
Lock Kit	
27260P .....	5, 7, 9, 13, 15
L.P. Conversion Kit	
458P3 .....	49

N/A items do not appear in index.

---

**M**

Male Pin Terminal	
00116 .....	57
00127 .....	57
Male Tab Terminal	
00139 .....	55
Meter Case Wire Harness Kit	
39955P .....	19
Motor and Pulley Assembly	
511629P .....	37
Motor Hub Ring Kit	
590P3 .....	37
Motor Mount	
510060 .....	37
Motor Mount Clamp	
510180 .....	37
Motor Pulley	
500011 .....	37
Mounting Tool Kit	
CK096 .....	21

---

**N**

Network Board Assembly	
210016P .....	13
Network Cable Wire Harness Assembly	
800216 .....	13
Network Wire Harness Assembly	
800217 .....	13
Nut	
201216 .....	21
24205 .....	5, 7, 9
28447 .....	43
29786 .....	19
29796 .....	7, 9
36020 .....	29
44071201 .....	33
44087201 .....	29
52566 .....	37
52947 .....	5, 7, 9
56156 .....	37, 43
80077 .....	7, 17
N.G. Conversion Kit	
459P3 .....	49

---

**O**

Opto Coupler	
200674P .....	19
Outlet Cover	
500820 .....	45, 47
Overlay	
502927 .....	5
505381 .....	7
511428 .....	13, 15
511430 .....	13, 15
512493 .....	5, 9
512494 .....	9
512678 .....	5, 9
512928 .....	5, 9
514275 .....	13, 15

N/A items do not appear in index.

---

**P**

Panel Locator	
56079 .....	35, 51
PC Board Standoff	
210098 .....	13
Plug	
23040 .....	57
Plug, 2 Circuit	
56266 .....	57
56448 .....	57
Plug, 9 Circuit	
23033 .....	55
Porcelain Touch-Up Paint	
122P4P .....	51
215P4P .....	51
370P4P .....	51
Power Supply	
512496 .....	23
Programming Card	
512499P .....	23

---

**R**

Ratchet Extension Tool	
310P4 .....	59
Ratchet Wheel	
53239 .....	27
Rear Bulkhead Assembly	
510905WP .....	43
511082P .....	43
Receptacle Housing	
90789 .....	55
Receptacle, 10 Circuit	
34596 .....	55
Receptacle, 12 Circuit	
501333 .....	55
Receptacle, 2 Circuit	
56451 .....	57
Receptacle, 3 Circuit	
23039 .....	57
Receptacle, 6 Circuit	
26708 .....	55
Resistor	
210100 .....	13, 15
Retaining Ring	
23748 .....	37, 43
Ring Terminal	
00110 .....	55
Roller Kit	
RB170002 .....	43
Rubber Foot	
501855 .....	51

---

**S**

Screw	
03203 .....	7
20530 .....	53
23008 .....	29
23222 .....	45, 49

27328	5, 9
28448	43
31260	37
33562	7, 9, 35
36048	29
39733	35, 51
500226	33
500824	37
501285	41, 43
501524	13, 15
502431	5, 7, 9, 17, 23, 25
502535	37
503661	13
503688	5, 7, 9, 13, 15, 17, 23, 25, 29, 35, 37, 39, 43, 45, 47, 49, 51
505295	31, 33, 39
505870	33
51782	9, 47, 49
52864	39
56124	49
61199	43
62588	39
62853	35
Seal Kit	
RB170001	39, 43
Secondary Coil	
58804B	49
Security Cabinet Front	
500225LP	5
500225QP	5
500225WP	5
Security Cabinet Front Assembly	
503428W	23
505227W	23, 25
511208L	25
511208Q	25
511208W	25
511522LP	7, 9
511522QP	7, 9
511522WP	7, 9
511632L	17
511632Q	17
511632WP	17
Security Cabinet Harness Assembly	
501374P	67
501378P	67
510626	61
Security Cabinet Wire Harness Assembly	
510497P	67, 69
510607	61
510654P	61, 63, 65
510655P	61
Sensor	
510213	49
Shaft	
56461P	37, 43
Shield	
56751	7
Single Overlay	
38717	17
Slide Extension Kit	
201915	9
Spade Terminal	
00245	55
Speed Clip	
28835	35

Spring	
53261	27
Strain Relief	
38384	53
Switch	
201952	9
512973	13, 15, 17, 35
514105	11
Switch Assembly	
55882	5, 7, 9
Switch Knob	
39897	5, 7, 9
Switch Mount Assembly	
201917P	9

---

## T

Temperature Selector Switch	
511711	9
Terminal	
00252	55
Terminal Block Assembly	
510190P	43
Terminal Block Shield	
510237	43
Terminal Extractor Tool	
283P4	59
Thermal Fuse Assembly	
511412	45
Thermistor Assembly	
510523	37
Thermostat	
504515	37
510703	47
512005	37
Timer	
510524P	5
Timer Bracket	
503017	7
Timer Knob	
54678	5
Timer Motor	
512017P	27
Timer Overlay	
500814	5
Timing Cam	
53240	27
53241	27
53242	27
53243	27
Top Hinge	
510136	51
Top Kit	
510032LP	29
510032QP	29
510032WP	29
Top Mounting Bracket	
504228	29
Torx Bit	
281P4	59
282P4	59
292P4	59

N/A items do not appear in index.

Torx Drive Tool	
93501 .....	59
Transformer	
201375P .....	13, 15, 21
201587P .....	9
210018P .....	13, 15
803527P .....	13, 15

Wire, 18 Gauge	
45001 .....	61, 63, 65, 67, 69, 71, 73, 75
Wrapper and Channel Assembly	
505753QP .....	5, 7, 9, 17, 23, 25
505753WP .....	5, 7, 9, 17, 23, 25

## U

Upper Wire Harness Assembly	
510408P .....	67, 69

## W

Warning/Caution Label	
500281 .....	35
Washer	
03815 .....	9
25820 .....	5, 7, 9
28449 .....	43
504082 .....	43
52549 .....	37, 43
91176 .....	5, 7, 9
Window Clip	
513958 .....	33
Window Trim	
503981L .....	33
503981Q .....	33
503981W .....	33
513960Q .....	33
513960W .....	33
Wire Assembly	
510527 .....	45
510528 .....	45
Wire Clip	
504034 .....	57
687500 .....	57
Wire Configuration Assembly	
512273P .....	71, 73, 75
512275P .....	71, 73, 75
Wire Guard	
201595P .....	19
Wire Harness	
510496P .....	67, 69
Wire Harness Assembly	
510409P .....	67, 69
510410P .....	67
510411P .....	67
510412P .....	61, 63
510413P .....	61
510414P .....	61
510415P .....	61
510417P .....	61
510419P .....	61
510487P .....	67, 69
510488P .....	67, 69
512142 .....	61, 63, 65
512422P .....	71, 73, 75
512653 .....	61
512660 .....	61, 63
Wire, 12 Gauge	
45380 .....	61, 63, 65, 67, 69, 71, 73, 75

N/A items do not appear in index.